



Specification Information

Product Code: 950-4x24

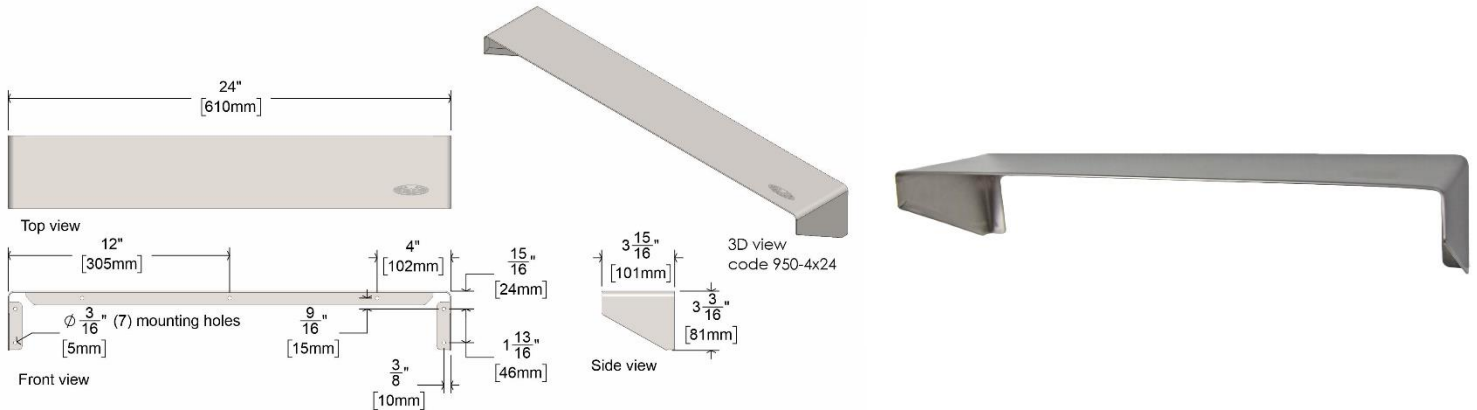
Product Name: Heavy Duty Shelf, 4" Depth, 24" Length

Individual Carton UPC: 624622950156

Individual Carton Shipping Dimensions: 66.0cm W x 15.2cm H x 15.2cm D (26" W x 6" H x 6" D)

Individual Carton Shipping Weight: 1.4kg (3.0 lbs)

Site Location: Frost's 950-4x24 heavy duty shelf is extremely durable and practical. Typically, these units are used in schools/universities, restaurants, malls, office buildings, condominiums, fitness facilities, and recreation centres. The durable construction, minimal depth, and high quality stainless steel make this unit a popular choice.



Features:

- Made in Canada with high quality stainless steel
- Ideal for areas requiring 4" ADA maximum wall protrusion specifications
- New rounded corner shelf with safety edges on all protruding sides
- Easy to install and maintain

Materials:

- 22 gauge stainless steel no. 4 brushed finish

Product Dimensions:

- 61.0cm W x 8.1cm H x 9.9cm D (24" W x 3.2" H x 3.9" D)

Product Weight:

- 1.1kg (2.5 lbs)

Installation Guidelines: Supplied with mounting screws. All mounting screw holes below shelf. Mark mounting holes against the mounting surface using a pencil and level. Use a screwdriver or power drill to drill screws in the desired mounting surface and attach the unit. Please note that it is recommended that all installations be conducted by a qualified tradesperson. Please read and follow any additional installation guidelines provided with the products.

Maintenance: Normal preventative maintenance and cleaning will keep Frost products functioning properly and may extend normal product life. Products should be wiped down with a damp soft cloth periodically. Approved stainless steel cleaner may be used to clean scuffs or fingerprints on stainless surfaces. Do not use harsh detergents or chemical cleaners. For stainless steel please do not spray with any product containing bleach, acids, or chlorides, which can be

Frost Products Ltd

5276 John Lucas Drive
Burlington, ON, Canada, L7L5Z9

(905) 332-5700
1-800 667-5094

info@frostproductsltd.com
www.frostproductsltd.com



Specification Information

found in many cleaning products such as toilet bowl cleaners. Use of these cleaning solutions may cause discoloration and if used for prolonged periods of time they can eat away at points in the stainless steel. If discoloration occurs, the use of an approved stainless steel cleaner and a firmer scrub pad, such as a Scotch Brite Pad #7447, may remove the markings. Wipe away any debris from the area and gently rub with the pad. Then spray the area with a stainless steel cleaner/polish and rinse and dry. Always wipe with the grain direction for stainless steel products. If a cleaning agent has begun to eat away at the steel on a unit then the unit will likely need to be replaced. The stainless steel that Frost Products uses is of high quality and stainless steel is resistant to rust. However, discoloration that appears to be rust can be caused by cleaning solutions and soaps mentioned above. It is important to discontinue use of any cleaning agent or soap if discoloration begins to occur. Clean off the discoloration as quickly as possible to avoid any permanent damage to the unit. Maintenance staff should be taught how to recognize the signs that they are not using the appropriate cleaning products and how to correctly maintain stainless steel items.

Warranty: If any product or part proves to be defective within 12 months from date of shipment from the factory it will be repaired or replaced without any charge including freight costs when authorized. Costs resulting from the installation or removal of defective products are not covered under this warranty. Discoloration to stainless steel parts resulting from exposure to harsh environmental and / or chemicals are not considered to be defects in workmanship or material and are not covered under warranty.