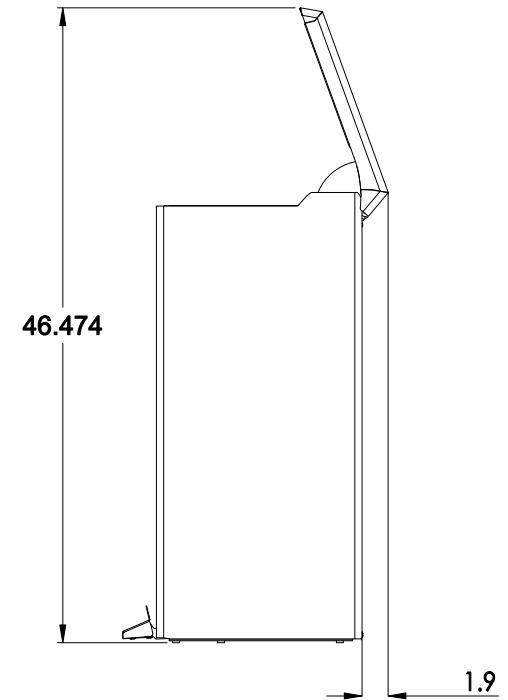
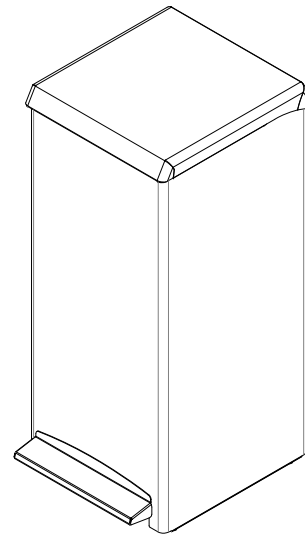
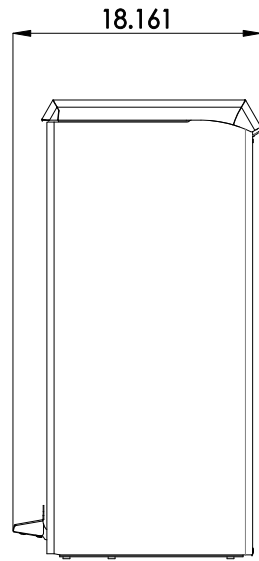
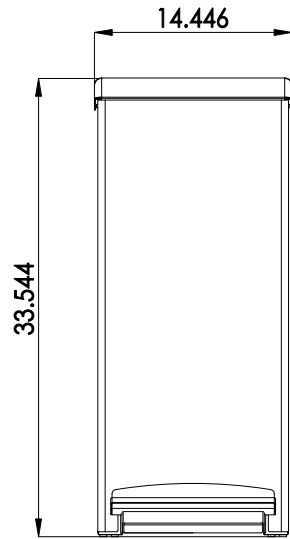
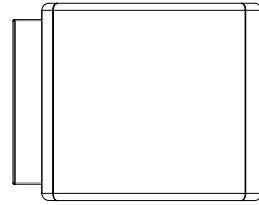


REVISIONS				
ZONE	REV.	DESCRIPTION	DATE	APPROVED



Closed Views

Open View

Frost Code 305