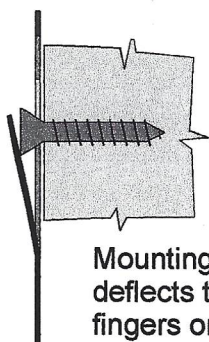
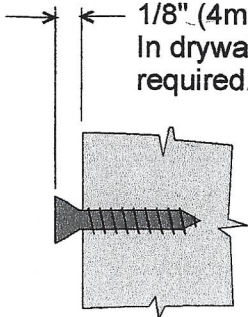


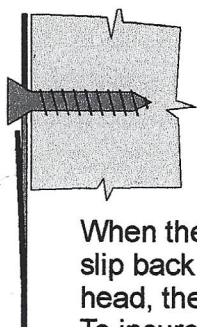
Stock Series Mirror Mounting Guide

Figure 1

8 csk head approximately 1/8" (4mm) from wall. In drywall anchors will be required.

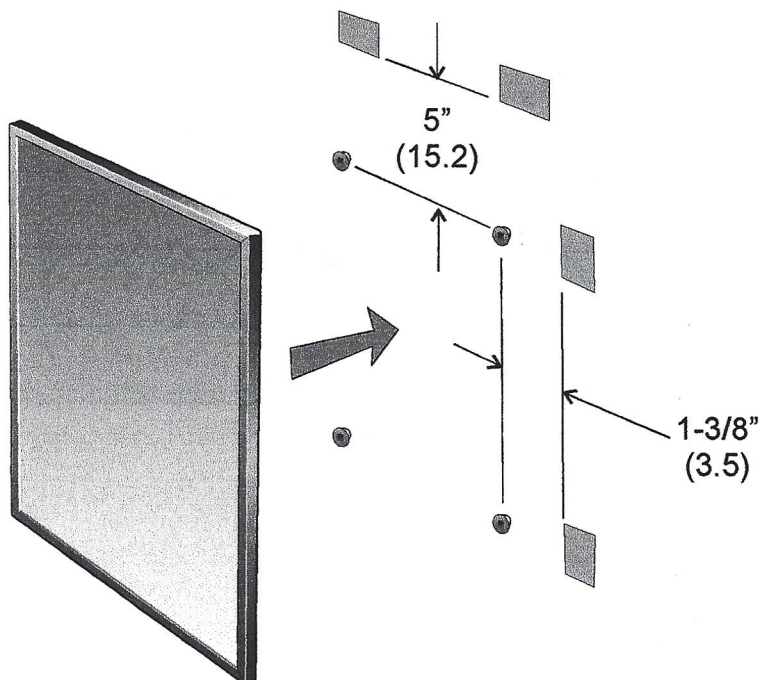


Mounting system deflects the metal fingers on the mirror back



When the metal fingers slip back over the screw head, the mirror is secured. To insure an easy installation with all four fingers registering and engaging, use a marking or guide system as illustrated on the right.

- 1 Measure mirror backs to determine mounting hole centres. Screw in four mounting screws as shown in fig.1. Place tape or wipe off type magic marker the following distances from mounting screws. Masking tape is shown in this example.



- 2 Use tape or marker guides to insure screw heads are registered. Press mirror firmly against the wall and pull down

