



# Specification Information

**Product Code:** 713

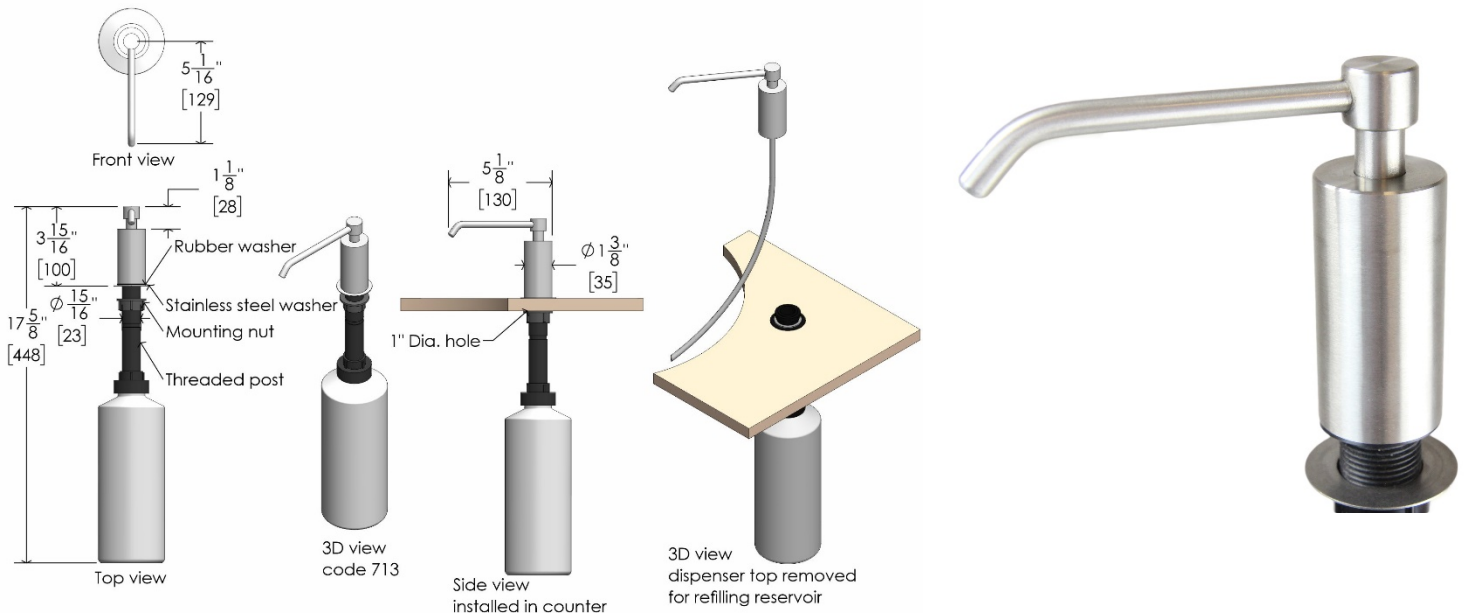
**Product Name:** Counter Mounted Foam Soap Dispenser

**Individual Carton UPC:** 624622713001

**Individual Carton Shipping Dimensions:** 25.4cm W x 14.6cm H x 15.2cm D (10" W x 3 3/4" H x 5 3/4" D)

**Individual Carton Shipping Weight:** 0.6kg (1.3 lbs)

**Site Location:** Frost's 713 manual counter mounted foam soap dispenser is practical, economical, and durable. This unit has a bulk filled reservoir which allows the end user to save costs and buy soap in bulk from various suppliers instead of locking into a cartridge system. Typically, these products are used in schools, malls, restaurants, office buildings, recreational facilities, and other commercial properties. For locations requiring a cost efficient counter mounted foam soap solution, this dispenser is an ideal choice.



## Features:

- Operates with less than 5 lbs of force
- Counter mounted with concealed mounting assembly
- Dispensing volume is approximately 1cc
- Can be top loaded for convenient refilling
- Bulk filled
- For use with foam soap
- Provides clean and professional appearance

**Dispensing:** Frost's 713 dispenses foam soap manually by pressing the top of the unit downwards. This product is also universal; meaning, the unit is non-proprietary and dispenses soap from standard commercial soap suppliers. This allows the end user to avoid getting locked into soap supply contracts and should save them money on their janitorial supplies. To refill this product, one can either twist off the top of the unit and refill using a jug of commercial foam soap, or the soap reservoir can be unscrewed from underneath and refilled.

## Capacity:

- The bulk filled reservoir holds 1 litre (33.8 US oz.) of foam soap

Frost Products Ltd  
5276 John Lucas Drive  
Burlington, ON, Canada, L7L5Z9

(905) 332-5700  
1-800 667-5094

info@frostproductsltd.com  
www.Frostproductsltd.com



# Specification Information

## Materials:

- Bottle: Robust high quality ABS
- Main Housing and Spout: Type 304 stainless steel with brushed finish

## Product Dimensions:

- 8.1cm W x 44.7cm H x 13.0cm D (3.2" W x 17.6" H x 5.1" D)
- Threaded Shank length is 11.4cm (4.5")

## Product Weight:

- 0.45 kg (1 lbs)

**Installation Guidelines:** Insert the threaded shank through 7/8" diameter hole in the vanity with only housing and valve assembly exposed above the counter. Secure with brackets provided below. Fill bottle with soap and attach to the bottom. Please note that it is recommended that all installations be conducted by a qualified tradesperson. Failure to do so may result in serious injury. Please read and follow any additional installation guidelines provided with the products.

**Maintenance:** Normal preventative maintenance and cleaning will keep Frost products functioning properly and may extend normal product life. Products should be wiped down with a damp soft cloth periodically. Approved stainless steel cleaner may be used to clean scuffs or fingerprints on stainless surfaces. Do not use harsh detergents or chemical cleaners. For general dirt and blemishes on painted steel or plastic use warm water and mild soap, or a general mild cleaning solution. When using any type of cleaning solution, spray onto a discrete area to test before full usage. After the cleaning agent is applied, wipe off with a clean soft cloth or sponge. It is recommended that units be periodically rinsed out with warm water to prevent soap build up that may hinder the performance of the valve. It is also recommended that users avoid harsh chemical cleaners when cleaning the outside of the unit.

**Warranty:** If any product or part proves to be defective within 12 months from date of shipment from the factory it will be repaired or replaced without any charge including freight costs when authorized. Costs resulting from the installation or removal of defective products are not covered under this warranty. Discolouration to stainless steel parts resulting from exposure to harsh environmental and / or chemicals are not considered to be defects in workmanship or material and are not covered under warranty.