

# FROST PRODUCTS LTD.

create an impression.



**Code 2010:** Pet Waste Bag Dispenser  
**Code 2011:** Pet Waste Disposal  
**Code 2012:** Pet Waste Bags  
**Code 909-100:** Mounting Pedestal  
**Code 2013:** Complete Pet Waste Unit

- Heavy duty pet waste disposal unit is made of 18 gauge powder coated steel
- Dispenser and disposal units come with locking mechanisms to reduce pilferage and vandalism
- Disposal bin is made of rugged rotationally moulded polyethylene (100% recycled)
- Can be mounted on Code 909-100 mounting pedestal
- Pet waste bag case comes with 10 rolls, 200 bags per roll

5280 John Lucas Drive  
Burlington, ON, Canada, L7L 5Z9  
Ph: (905) 332-5700 E: [info@frostproductsltd.com](mailto:info@frostproductsltd.com)



## FOLLOW US!



Frost Products



FrostProducts



FrostProducts



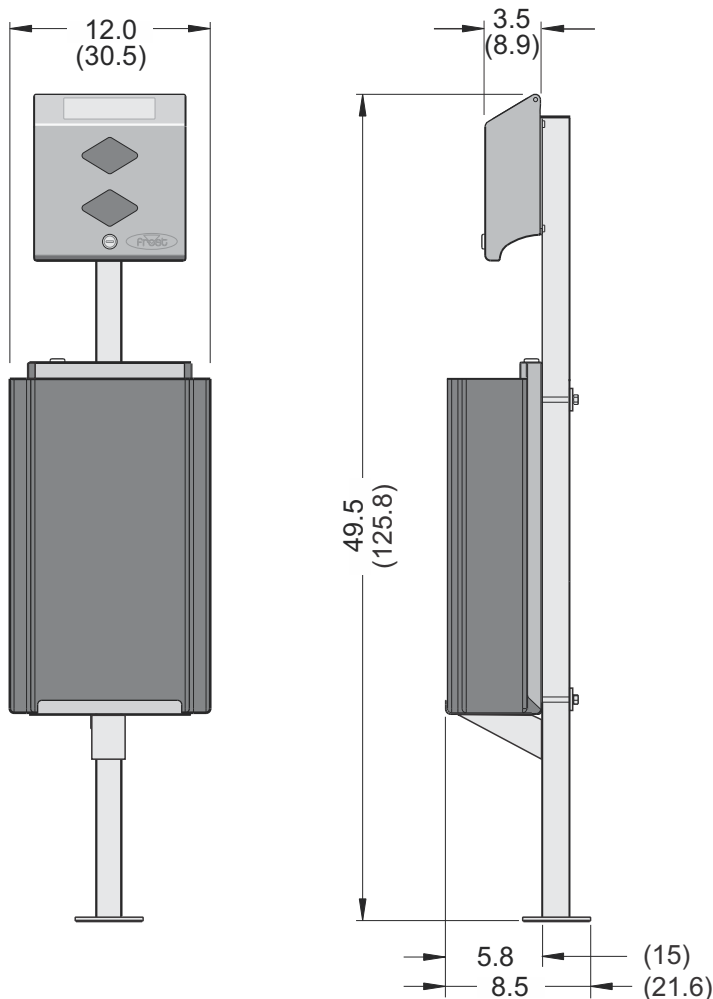
Frost Products



## Pet Waste Bag Dispenser

- Code 2010:** Pet waste, bag dispenser, locking, 2 box capacity, dark grey finish.  
**Code 2011:** Bag disposal receptacle with heavy duty mounting adaptor, locking. Dark grey finish.  
**Code 2012:** Pet waste bags, 200 bag roll per box. Ships in a case of 10 boxes (total: 2,000 bags).  
**Code 2013:** Complete system: Dispenser, disposal unit, heavy duty mounting pedestal, case of bags.  
**Code 909-100:** Mounting pedestal, light grey finish.

Overall dimensions in inches (cm in brackets)



## Specifications

**Site Location:** • Anywhere with high traffic pet ownership.

**Features:**

- All steel construction, 18 gauge steel, powder coated. Includes "Pet Waste Station" graphic.
- Dispenser unit as well as the disposal unit come with tumbler keyed lock.
- Disposal bin is made from rugged rotationally moulded polyethylene (100% recycled).

### Capacity

**Disposal Unit:** • 18.75 litres, 4.1 gal. imp. (5.4 gal. US)

**Bag holder:** • 400 bags (2 boxes). Box dimensions: 8cm x 8cm x 22cm long (3.125" x 3.125" x 8.62" long.)

### Mounting:

- Can be mounted on Code 909-100 mounting pedestal.
- Both units can also be mounted on standard square perforated sign post tubing with 1", 1-1/2" or 2" mounting hole centres. Comes with mounting hardware for a 1-1/2" thick tube/support.



## Usage, Installation Instructions

### Code 2010-2011 Installation Instructions

This document covers the use and installation of the Code 2010 dispenser and 2011 disposal units.

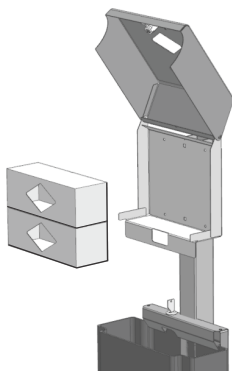
**Hardware:**

Code 2010		
Part	Type:	Quantity:
SS carriage bolt	1/4-20, 2" long	2
SS nylon lock nut	1/4-20	2
Pet Waste Station Label		1
Code 2011		
Part	Type:	Quantity:
SS carriage bolt	1/4-20, 2" long	4
SS nylon lock nut	1/4-20	4
Bolt plate		2

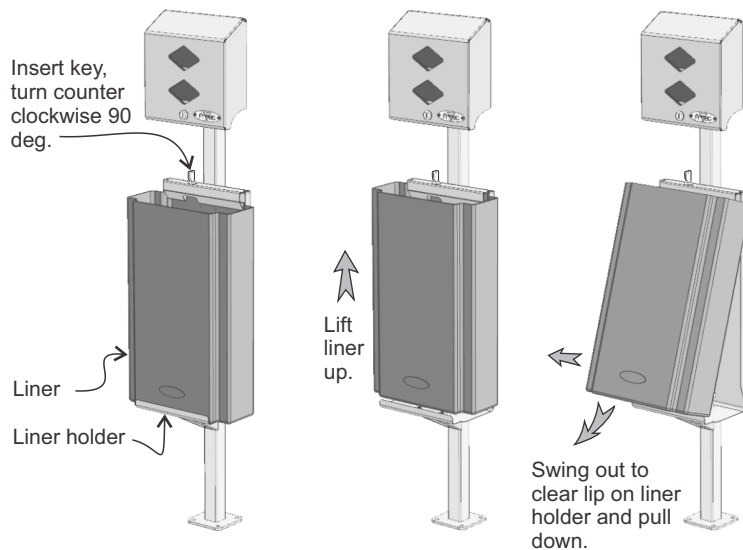


**Tools required:** 5/16" wrench/socket, #2 Robertson screw driver.

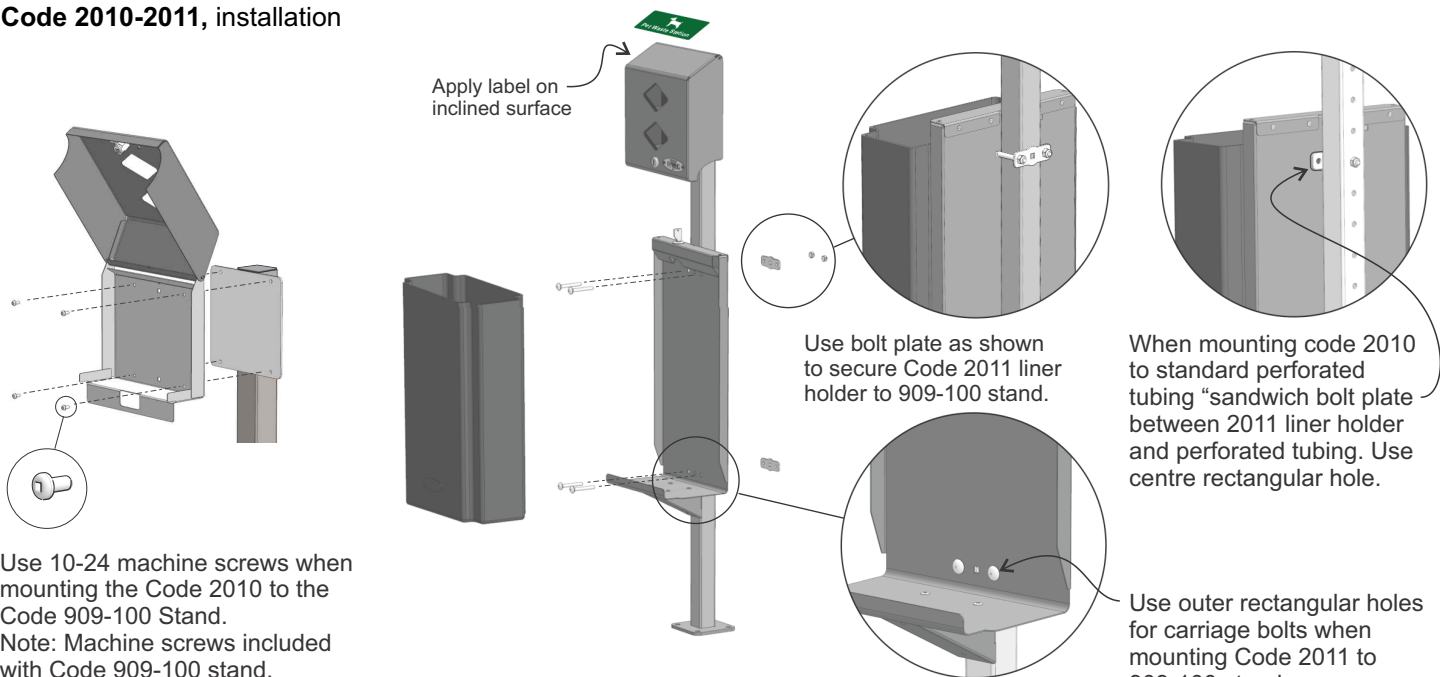
### Code 2010-2011, Loading, liner removal



The Code 2010 accepts 2 standard bag roll boxes.  
 Size: 3" x 3" x 7-3/4" (7.6 x 7.6 x 22.2 cm)  
 Also available as Frost Code 2012.



### Code 2010-2011, installation



Use 10-24 machine screws when mounting the Code 2010 to the Code 909-100 Stand.  
 Note: Machine screws included with Code 909-100 stand.

Use bolt plate as shown to secure Code 2011 liner holder to 909-100 stand.

When mounting code 2010 to standard perforated tubing "sandwich bolt plate between 2011 liner holder and perforated tubing. Use centre rectangular hole.

Use outer rectangular holes for carriage bolts when mounting Code 2011 to 909-100 stand.