



Specification Information

Product Code: 908

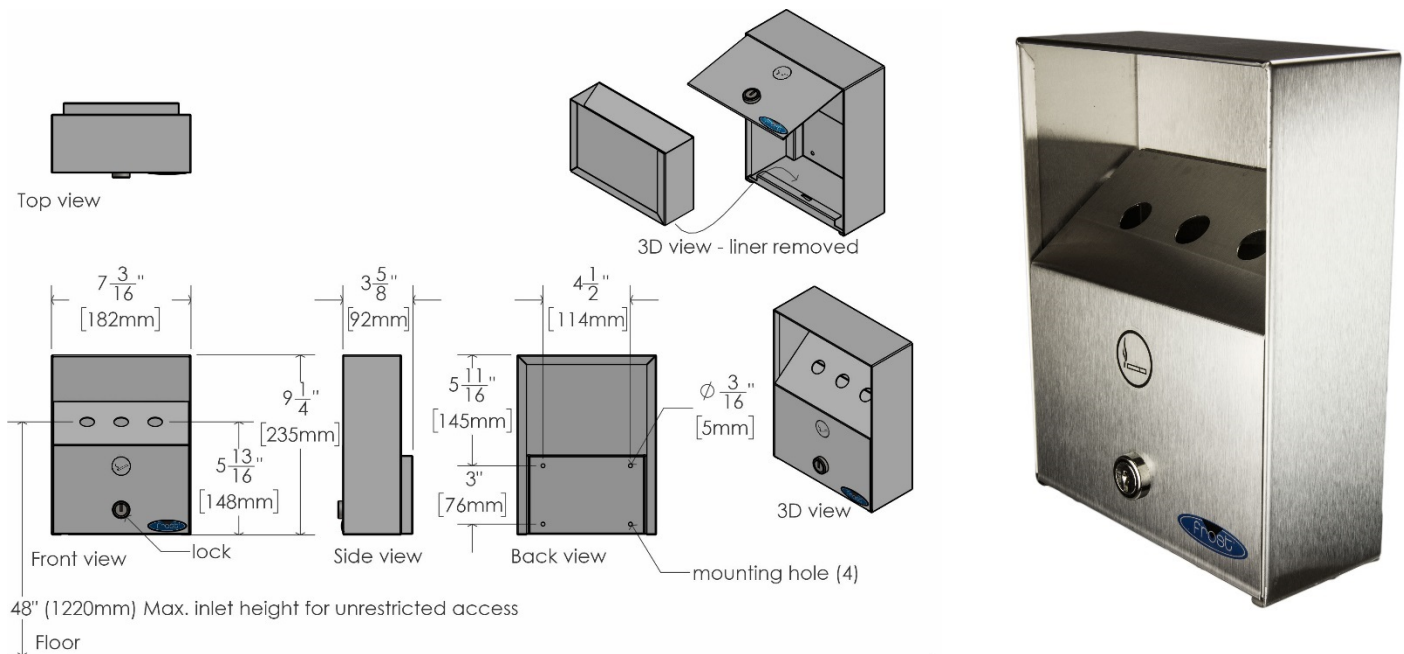
Product Name: Stainless Steel Heavy Duty Outdoor Ash Bin

Individual Carton UPC: 624622908034

Individual Carton Shipping Dimensions: 18.4cm W x 26.0cm H x 10.2cm D (7¼" W x 10¼" H x 4" D)

Individual Carton Shipping Weight: 2.3kg (5 lbs)

Site Location: Frost's 908 stainless steel heavy duty ash bin is sleek and durable. Designed for pedestrian common areas, this ashtray is intended for use in less frequented areas. Typically, these units are used around schools, malls, restaurants, hospitals, office buildings, condominiums, apartment buildings, recreational facilities, and other commercial properties. The compact design, durable construction, and high quality stainless steel make this unit an ideal choice.



Features:

- Made with North American stainless steel
- Secured with tumbler keyed lock, key provided
- Door is hinged with full length stainless steel piano hinge
- Corrosion resistant galvanized steel inner liner with baffle opening
- Offset mounting bracket keeps unit 5/8" away from wall for extra fire insulation
- Straightforward design allows for easy maintenance

Capacity:

- 1 litre (0.26 US gal., 0.22 Imp gal.)

Materials:

- Body: 18 gauge stainless steel, 304, no. 4 brushed finish
- Liner: 22 gauge corrosion resistant galvanized steel

Product Dimensions:

- 18.3cm W x 23.5cm H x 9.1cm D (7.2" W x 9.25" D x 3.6" D)

Frost Products Ltd

5276 John Lucas Drive
Burlington, ON, Canada, L7L5Z9

(905) 332-5700
1-800 667-5094

info@frostproductsltd.com
www.frostproductsltd.com



Specification Information

Product Weight:

- Weight: 4 lbs. (1.8 kg)

Installation Guidelines: For unrestricted access, height of cigarette inlet to floor must not exceed 121.9cm (48"). Using the appropriate installation tools, drill or screw unit into desired mounting surface. Please note that it is recommended that all installations be conducted by a qualified tradesperson. Failure to do so may result in serious injury. Please read and follow any additional installation guidelines provided with the products.

Maintenance: Normal preventative maintenance and cleaning will keep Frost products functioning properly and may extend normal product life. Products should be wiped down with a damp soft cloth periodically. Approved stainless steel cleaner may be used to clean scuffs or fingerprints on stainless surfaces. Do not use harsh detergents or chemical cleaners. For general dirt and blemishes on painted steel or plastic use warm water and mild soap, or a general mild cleaning solution. When using any type of cleaning solution, spray onto a discrete area to test before full usage. After the cleaning agent is applied, wipe off with a clean soft cloth or sponge. For stainless steel please do not spray with any product containing bleach, acids, or chlorides, which can be found in many cleaning products such as toilet bowl cleaners. Use of these cleaning solutions may cause discolouration and if used for prolonged periods of time they can eat away at points in the stainless steel. If discolouration occurs, the use of an approved stainless steel cleaner and a firmer scrub pad, such as a Scotch Brite Pad #7447, may remove the markings. Wipe away any debris from the area and gently rub with the pad. Then spray the area with a stainless steel cleaner/polish and rinse and dry. Always wipe with the grain direction for stainless steel products. If a cleaning agent has begun to eat away at the steel on a unit then the unit will likely need to be replaced. For stainless steel soap dispensers please avoid use of ammonium-based soaps as these can also cause discolouration and/or damage to the dispensers. The stainless steel that Frost Products uses is of high quality and stainless steel is resistant to rust. However, discolouration that appears to be rust can be caused by cleaning solutions and soaps mentioned above. It is important to discontinue use of any cleaning agent or soap if discolouration begins to occur. Clean off the discolouration as quickly as possible to avoid any permanent damage to the unit. Maintenance staff should be taught how to recognize the signs that they are not using the appropriate cleaning products and how to correctly maintain stainless steel items.

Warranty: If any product or part proves to be defective within 12 months from date of shipment from the factory it will be repaired or replaced without any charge including freight costs when authorized. Costs resulting from the installation or removal of defective products are not covered under this warranty. Discolouration to stainless steel parts resulting from exposure to harsh environmental and / or chemicals are not considered to be defects in workmanship or material and are not covered under warranty.