



Specification Information

Product Code: 326

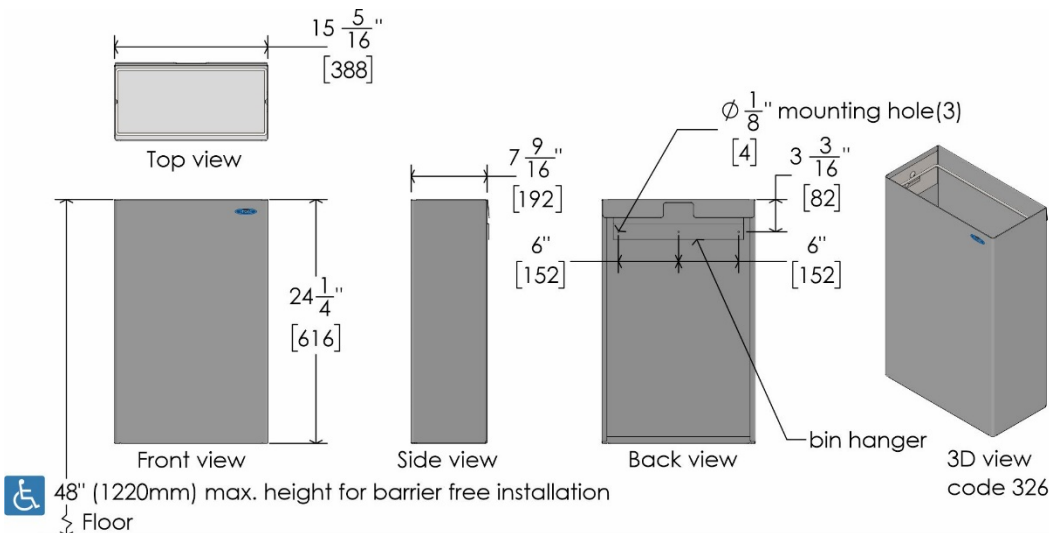
Product Name: Wall Mounted Waste Receptacle

Individual Carton UPC: 624622326005

Individual Carton Shipping Dimensions: 21.0cm H x 64.8cm W x 38.7cm D (8 ¼" H x 25 ½" W x 15 ¼" D)

Individual Carton Shipping Weight: 6.8 kg (15.0 lbs)

Site Location: Frost's 326 series waste receptacles are designed for high traffic commercial areas that require waste receptacles to be mounted on the wall. Typically, the disposals are used in airports, malls, office buildings, condominiums, fitness facilities, and recreation centres. The product's all stainless steel construction makes it a popular choice for areas requiring a professional appearance.



Features:

- Wall mounted to conserve floor space
- Mounts to bracket attached to wall
- Comes with bag holder apparatus
- Waste receptacle can be easily removed for convenient maintenance
- All welded construction of 22 gauge Canadian stainless steel with a brushed finish
- Recommended bag size: 66.0 cm x 91.4 cm (26" x 36")

Capacity:

- The waste receptacle has a total capacity of 50 litres (13.2 US gal, 11 Imp. gal)

Materials:

- Body: 22 gauge stainless steel, type 304 no. 4 brushed finish

Product Dimensions:

- 61.6cm H x 38.9cm W x 19.1cm D (24.25" H x 15.3" W x 7.5" D)

Product Weight:

- 6.4 kg (14 lbs)

Frost Products Ltd
5276 John Lucas Drive
Burlington, ON, Canada, L7L5Z9

(905) 332-5700
1-800 667-5094

info@frostproductsltd.com
www.frostproductsltd.com



Specification Information

Installation Guidelines: For unrestricted access, bottom of the unit to floor must be between 38.1cm to 121.9cm (15" to 48"). Take the mounting bracket and mark the holes using a pencil and level. Use a screwdriver or power drill to drill screws in the desired mounting surface and attach the bracket. Slide the lip of the waste receptacle on the bracket to secure. Please note that it is recommended that all installations be conducted by a qualified tradesperson. Please read and follow any additional installation guidelines provided with the products.

Maintenance: When exchanging bags, pop the bag ring out of its secure bracket. Then tie off the garage bag and remove. When replacing the bag please slide the bag within the ring and around the ring's edge with the bag draping over the ring by approximately 6". Then snap the ring back into its secure bracket. This will keep the bag properly hidden and secure. This ring is not supposed to be on the inside of the garbage bag, doing so may lead to accidentally throwing away the bag holder ring. Normal preventative maintenance and cleaning will keep Frost products functioning properly and may extend normal product life. Products should be wiped down with a damp soft cloth periodically. Approved stainless steel cleaner may be used to clean scuffs or fingerprints on stainless surfaces. Do not use harsh detergents or chemical cleaners. For stainless steel please do not spray with any product containing bleach, acids, or chlorides, which can be found in many cleaning products such as toilet bowl cleaners. Use of these cleaning solutions may cause discoloration and if used for prolonged periods of time they can eat away at points in the stainless steel. If discoloration occurs, the use of an approved stainless steel cleaner and a firmer scrub pad, such as a Scotch Brite Pad #7447, may remove the markings. Wipe away any debris from the area and gently rub with the pad. Then spray the area with a stainless steel cleaner/polish and rinse and dry. Always wipe with the grain direction for stainless steel products. If a cleaning agent has begun to eat away at the steel on a unit then the unit will likely need to be replaced. The stainless steel that Frost Products uses is of high quality and stainless steel is resistant to rust. However, discoloration that appears to be rust can be caused by cleaning solutions and soaps mentioned above. It is important to discontinue use of any cleaning agent or soap if discoloration begins to occur. Clean off the discoloration as quickly as possible to avoid any permanent damage to the unit. Maintenance staff should be taught how to recognize the signs that they are not using the appropriate cleaning products and how to correctly maintain stainless steel items. When using any type of cleaning solution, spray onto a discrete area to test before full usage. After the cleaning agent is applied, wipe off with a clean soft cloth or sponge.

Warranty: If any product or part proves to be defective within 12 months from date of shipment from the factory it will be repaired or replaced without any charge including freight costs when authorized. Costs resulting from the installation or removal of defective products are not covered under this warranty. Discoloration to stainless steel parts resulting from exposure to harsh environmental and / or chemicals are not considered to be defects in workmanship or material and are not covered under warranty.