



# Specification Information

**Product Code:** 310-W

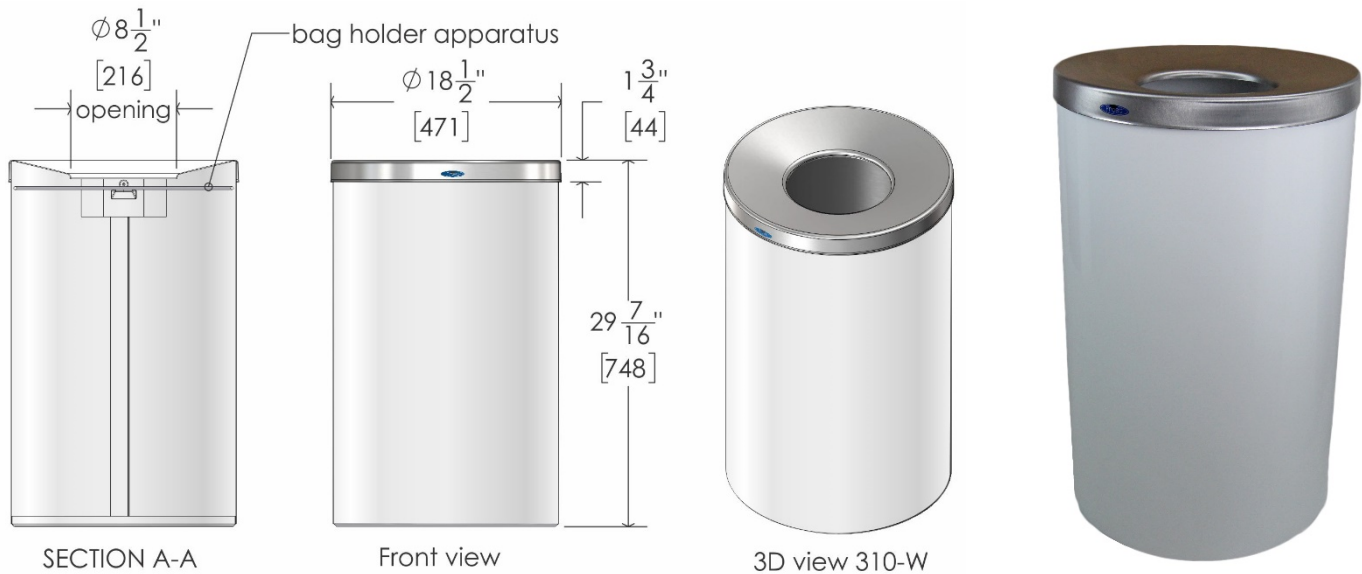
**Product Name:** Steel Lobby Waste Receptacle

**Individual Carton UPC:** 624622310837

**Individual Carton Shipping Dimensions:** 76.2cm H x 48.3cm W x 48.3cm D (30" H x 19" W x 19" D)

**Individual Carton Shipping Weight:** 14.0 kg (31.0 lbs)

**Site Location:** Frost's 310-W lobby waste receptacle is ideal for high traffic areas requiring the quality and durability without the commitment of wall mounting. This free-standing waste container offers clean geometric design lines with radius corners, ideal for lobbies and reception areas. Typically, the disposals are used in schools/universities, office buildings, airports, and shopping malls. The product's all stainless steel construction makes it a popular choice for areas requiring professional and durable goods.



## Features:

- All Canadian steel construction
- Rounded soft edge design
- Comes with bag holder apparatus
- Waste opening is 21.6cm (8.5") in diameter
- Shipped in a durable corrugated container and covered in protective plastic
- Recommended bag size: 88.9cm x 119.4cm (35" x 47")

## Capacity:

- The waste receptacle has a total capacity of 125 litres (32.0 US gal, 27.5 Imp. gal)

## Materials:

- Body: one piece roll formed 22 gauge steel, white epoxy powder coated finish
- Bottom: spun 22 gauge steel, white epoxy powder coated finish
- Lid: spun 18 gauge stainless steel type 304 no.4 brushed finish

## Product Dimensions:

- 74.7cm H x 47.0cm W x 47.0cm D (29.4" H x 18.5" W x 18.5" D)

Frost Products Ltd

5276 John Lucas Drive  
Burlington, ON, Canada, L7L5Z9

(905) 332-5700  
1-800 667-5094

info@frostproductsltd.com  
www.Frostproductsltd.com



## Specification Information

### Product Weight:

- 13.7 kg (30 lbs)

**Maintenance:** When exchanging bags remove the lid of the waste receptacle and then pop the bag ring out of its secure bracket. Then tie off the garbage bag and remove. When replacing the bag please slide the bag within the ring and around the ring's edge with the bag draping over the ring by approximately 6". Then snap the ring back into its secure bracket. This will keep the bag properly hidden and secure. This ring is not supposed to be on the inside of the garbage bag, doing so may lead to accidentally throwing away the bag holder ring. Normal preventative maintenance and cleaning will keep Frost products functioning properly and may extend normal product life. Products should be wiped down with a damp soft cloth periodically. Approved stainless steel cleaner may be used to clean scuffs or fingerprints on stainless surfaces. Do not use harsh detergents or chemical cleaners. For stainless steel please do not spray with any product containing bleach, acids, or chlorides, which can be found in many cleaning products such as toilet bowl cleaners. Use of these cleaning solutions may cause discoloration and if used for prolonged periods of time they can eat away at points in the stainless steel. If discoloration occurs, the use of an approved stainless steel cleaner and a firmer scrub pad, such as a Scotch Brite Pad #7447, may remove the markings. Wipe away any debris from the area and gently rub with the pad. Then spray the area with a stainless steel cleaner/polish and rinse and dry. Always wipe with the grain direction for stainless steel products. If a cleaning agent has begun to eat away at the steel on a unit then the unit will likely need to be replaced. The stainless steel that Frost Products uses is of high quality and stainless steel is resistant to rust. However, discoloration that appears to be rust can be caused by cleaning solutions and soaps mentioned above. It is important to discontinue use of any cleaning agent or soap if discoloration begins to occur. Clean off the discoloration as quickly as possible to avoid any permanent damage to the unit. Maintenance staff should be taught how to recognize the signs that they are not using the appropriate cleaning products and how to correctly maintain stainless steel items. When using any type of cleaning solution, spray onto a discrete area to test before full usage. After the cleaning agent is applied, wipe off with a clean soft cloth or sponge.

**Warranty:** If any product or part proves to be defective within 12 months from date of shipment from the factory it will be repaired or replaced without any charge including freight costs when authorized. Costs resulting from the installation or removal of defective products are not covered under this warranty. Discoloration to stainless steel parts resulting from exposure to harsh environmental and / or chemicals are not considered to be defects in workmanship or material and are not covered under warranty.