



Specification Information

Product Code: 109-70P

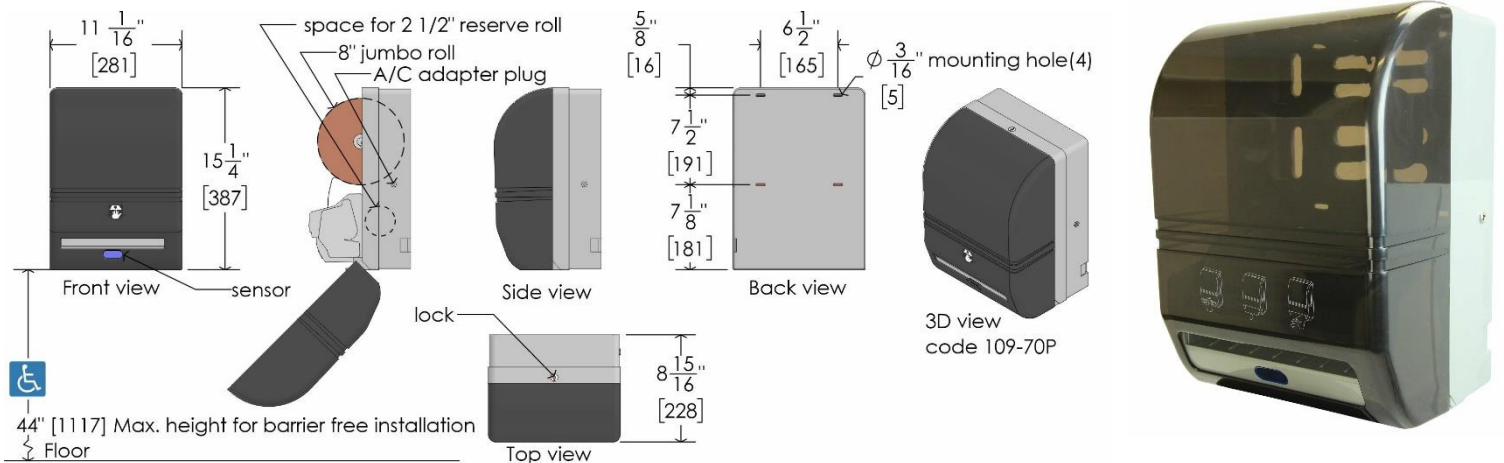
Product Name: Automatic Hands-Free Universal Paper Towel Dispenser

Individual Carton UPC: 624622109790

Individual Carton Shipping Dimensions: 44.5cm H x 34.3cm W x 29.2cm D (17.5" H x 13.5" W x 11.5" D)

Individual Carton Shipping Weight: 3.2 kg (7 lbs)

Site Location: Frost's 109-70P automatic hands-free universal paper towel dispenser offers a quality and reliable product at a less expensive price point. Typically, this product is used in Schools/Universities, Offices, Restaurants, Service Stations, and Industrial Settings where hands free operation is preferred. The product's ease of use and maintenance makes it a cost-effective solution.



Features:

- Quiet and uniform paper delivery
- Comes standard with keyed tumbler lock to reduce pilferage
- Front loading for easy service and maintenance
- Robust vandal resistant polycarbonate cover
- 9' AC adaptor includes

Dispensing: Frost code 109-70P is designed to dispense Jumbo 8" diameter (2.5" reserve roll) x 8" wide roll towels, core size of 1.375" and greater. The units are universal; meaning, the unit is non-proprietary and dispenses paper from standard commercial paper producers. This allows the end user to avoid getting locked into paper supply contracts and should save them money on their janitorial supplies. The unit is automatically operated when placing a hand within the large detection zone. An adjustable length of towel, between 6" and 9" (15.2 cm – 22.9cm) will then be dispensed. It can be refilled by unlocking the dispenser from the top. The lid will then swing down and new paper can be inserted. Please note that it is important to switch the unit off prior to installing new paper. The product can be powered with the AC adaptor (included) or four "D" size alkaline batteries (not included). Four alkaline batteries have been independently tested and found to provide 35,000 hand dries.

Capacity: Frost 109-70P universal paper towel dispenser will hold one jumbo 8" x 8" paper towel roll, as well as, a 2.5" reserve roll.

Frost Products Ltd

5276 John Lucas Drive
Burlington, ON, Canada, L7L5Z9

(905) 332-5700
1-800 667-5094

info@frostproductsltd.com
www.frostproductsltd.com



Specification Information

Materials:

- Front: one piece vandal resistant polycarbonate transparent cover
- Back: grey polycarbonate

Product Dimensions:

- 38.7cm H x 28.2cm W x 22.6cm D (15.25" H x 11.1" W x 8.9" D)

Product Weight:

- 2.9 kg (6.5 lbs)

Installation Guidelines: For unrestricted access, bottom of unit to floor must be between 38.1cm and 121.9cm (15" to 48"). Mark mounting holes against the mounting surface using a pencil and level. Use Phillips screws and anchors provided. Use a screw driver or power drill to drill screws in the desired mounting surface and attach the dispenser. If in doubt, please consult a qualified tradesperson.

Maintenance: Normal preventative maintenance and cleaning will keep Frost products functioning properly and may extend normal product life. Products should be wiped down with a damp soft cloth periodically. Approved stainless steel cleaner may be used to clean scuffs or fingerprints on stainless surfaces. Do not use harsh detergents or chemical cleaners. For general dirt and blemishes on painted steel or plastic use warm water and mild soap, or a general mild cleaning solution. When using any type of cleaning solution, spray onto a discrete area to test before full usage. After the cleaning agent is applied, wipe off with a clean soft cloth or sponge.

Warranty: If any product or part proves to be defective within 12 months from date of shipment from the factory it will be repaired or replaced without any charge including freight costs when authorized. Costs resulting from the installation or removal of defective products are not covered under this warranty. Discolouration to stainless steel parts resulting from exposure to harsh environmental and / or chemicals are not considered to be defects in workmanship or material and are not covered under warranty.