



Specification Information

Product Code: 1055-S

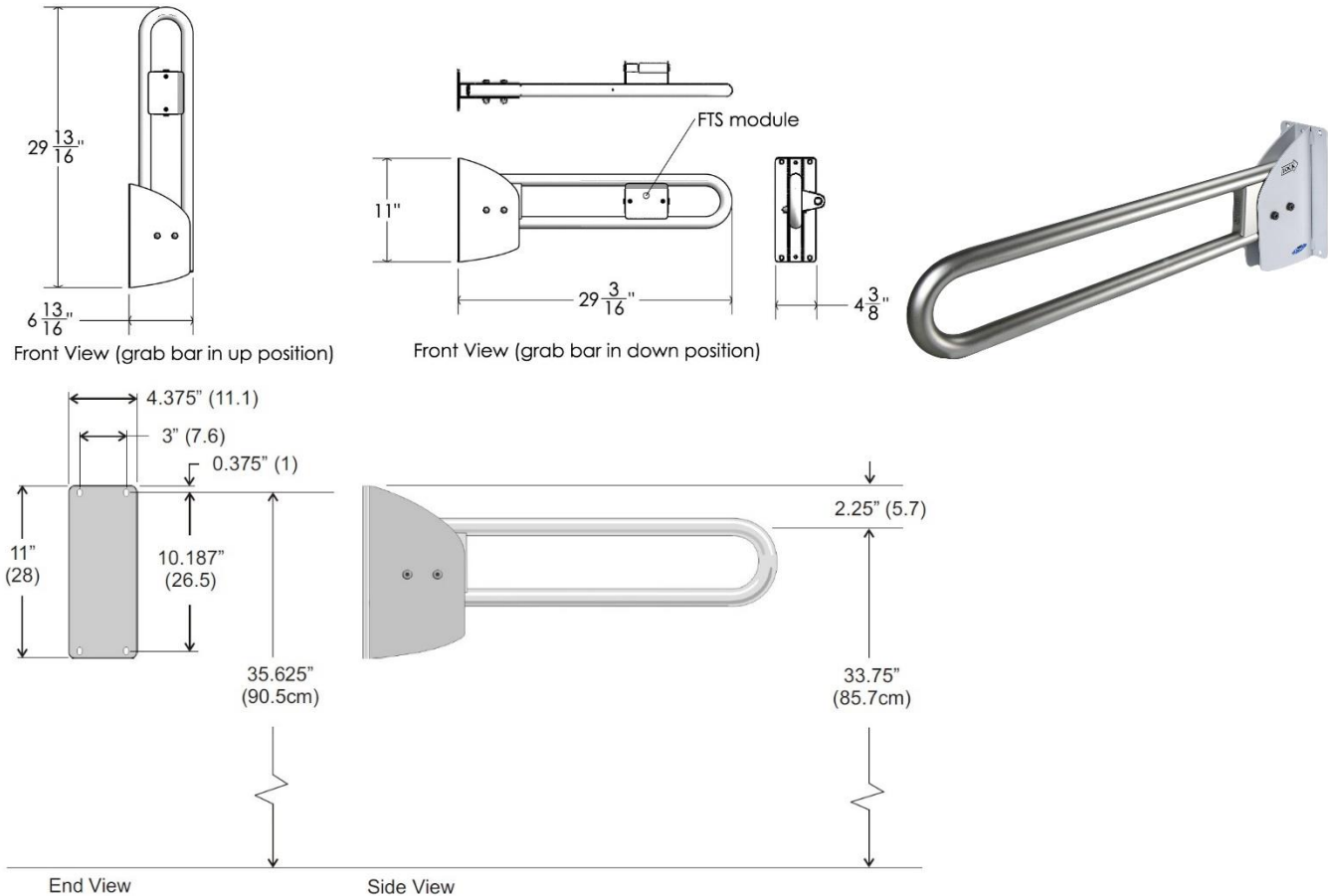
Product Name: Swing Up Grab Bar

Individual Carton UPC: 624622105532

Individual Carton Shipping Dimensions: 32"L x 7.5"W x 5"H (81.3cm L x 19.1cm W x 12.7cm H)

Individual Carton Shipping Weight: 12 lbs (5.4 kg)

Site Location: Frost's 1055 series swing up grab bars are highly recommended by barrier-free design experts because they provide the optimum approach path for wheelchair use. Typically, these units are used in schools/universities, nursing homes, airports, malls, office buildings, hospitals, recreation centres, and residential properties.



Features:

- Can be mounted to the wall or to the carrier stand (code 1055-500)
- Mandrel bending process provides uniform bar diameter
- 16 gauge stainless steel tube
- Can be locked into vertical or horizontal position
- Peened grip
- will sustain loads up to 600 lbs under its intended use

Materials:

- Tubing is 16 gauge type 304 1-1/4" O.D. (outside diameter) stainless steel with exposed surfaces in polished satin finish

Frost Products Ltd

5276 John Lucas Drive
Burlington, ON, Canada, L7L5Z9

(905) 332-5700
1-800 667-5094

info@frostproductsltd.com
www.frostproductsltd.com



Specification Information

Product Dimensions:

- Up: 17.3cm L x 11.2cm W x 75.7cm H (6.8" L x 4.4" W x 29.8" H)
- Down: 74.2cm L x 11.2cm W x 27.9cm H (29.2" L x 4.4" W x 11" H)

Product Weight:

- 11 lbs (5.0 kg)

Installation Guidelines: We recommend installation by qualified trades persons. Installers must consult and comply with local building codes. Mounting hardware and other systems to be determined by contractor and installer pending specific structure, design, and conditions. All installations must be fully inspected and approved by property owners and maintenance personnel prior to bar being put into use. Failure to comply to proper installation procedure will void warranty and may result in malfunctioning or injury. Secure to wall where adequate in wall backing exists. Use wall plate as a template to locate mounting holes. Drill holes and set anchors as appropriate. Mount grab bar and secure mounting screws. The 1055 flip up grab bar will sustain loads up to 600lbs under its intended use. The types of loads (especially dynamic) applied are hard to predict. It is up to the designer to determine the suitability of the use of these grab bars in their specific situation. Caution: The grab bar is only as strong as the anchors and wall to which it is attached and, therefore, must be firmly secured in order to sustain the load(s) for which it is intended. We suggest installation by a qualified tradesperson.

Maintenance: Normal preventative maintenance and cleaning will keep Frost products functioning properly and may extend normal product life. Products should be wiped down with a damp soft cloth periodically. Approved stainless steel cleaner may be used to clean scuffs or fingerprints on stainless surfaces. Do not use harsh detergents or chemical cleaners. For stainless steel please do not spray with any product containing bleach, acids, or chlorides, which can be found in many cleaning products such as toilet bowl cleaners. Use of these cleaning solutions may cause discoloration and if used for prolonged periods of time they can eat away at points in the stainless steel. If discoloration occurs, the use of an approved stainless steel cleaner and a firmer scrub pad, such as a Scotch Brite Pad #7447, may remove the markings. Wipe away any debris from the area and gently rub with the pad. Then spray the area with a stainless steel cleaner/polish and rinse and dry. Always wipe with the grain direction for stainless steel products. If a cleaning agent has begun to eat away at the steel on a unit then the unit will likely need to be replaced. The stainless steel that Frost Products uses is of high quality and stainless steel is resistant to rust. However, discoloration that appears to be rust can be caused by cleaning solutions and soaps mentioned above. It is important to discontinue use of any cleaning agent or soap if discoloration begins to occur. Clean off the discoloration as quickly as possible to avoid any permanent damage to the unit. Maintenance staff should be taught how to recognize the signs that they are not using the appropriate cleaning products and how to correctly maintain stainless steel items.

Warranty: If any product or part proves to be defective within 12 months from date of shipment from the factory it will be repaired or replaced without any charge including freight costs when authorized. Costs resulting from the installation or removal of defective products are not covered under this warranty. Discoloration to stainless steel parts resulting from exposure to harsh environmental and / or chemicals are not considered to be defects in workmanship or material and are not covered under warranty.