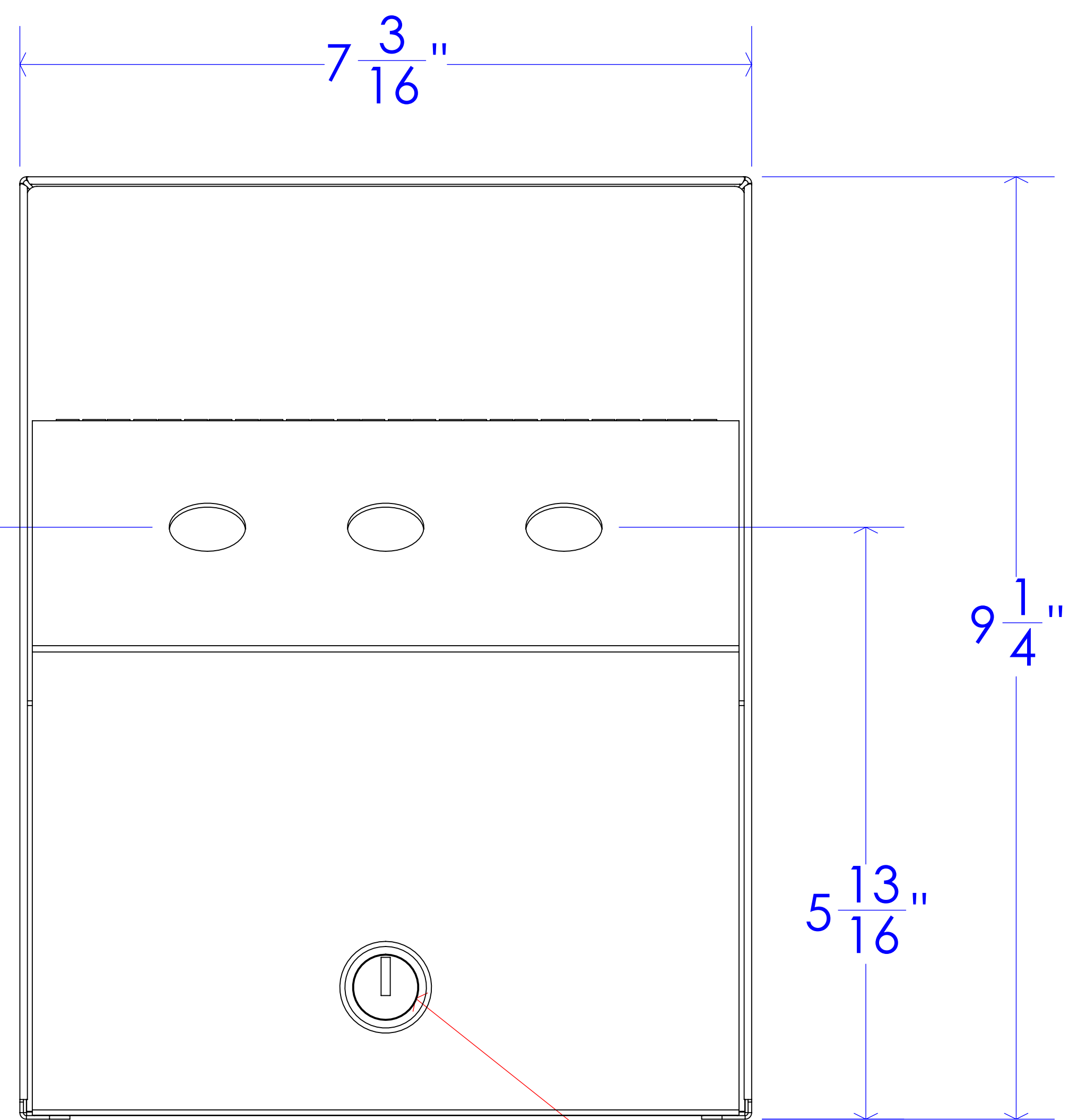
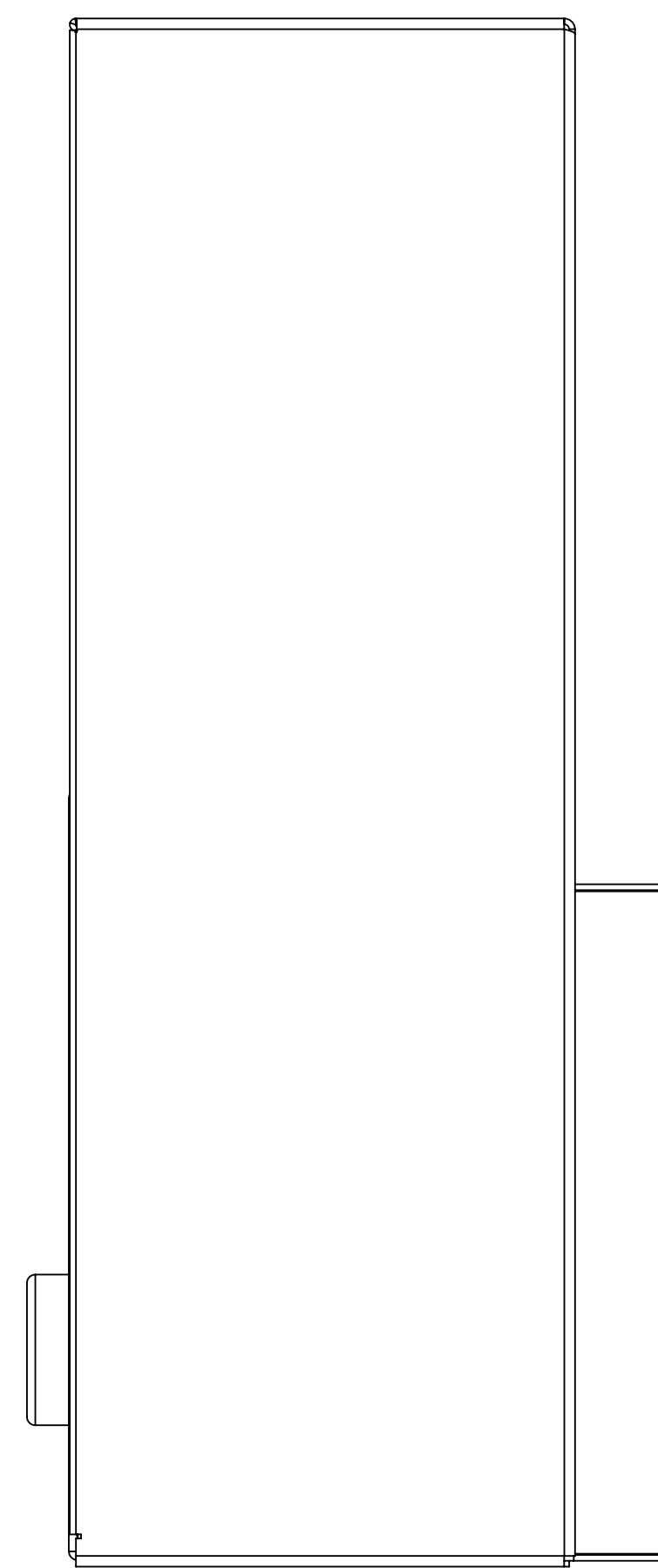


Top view

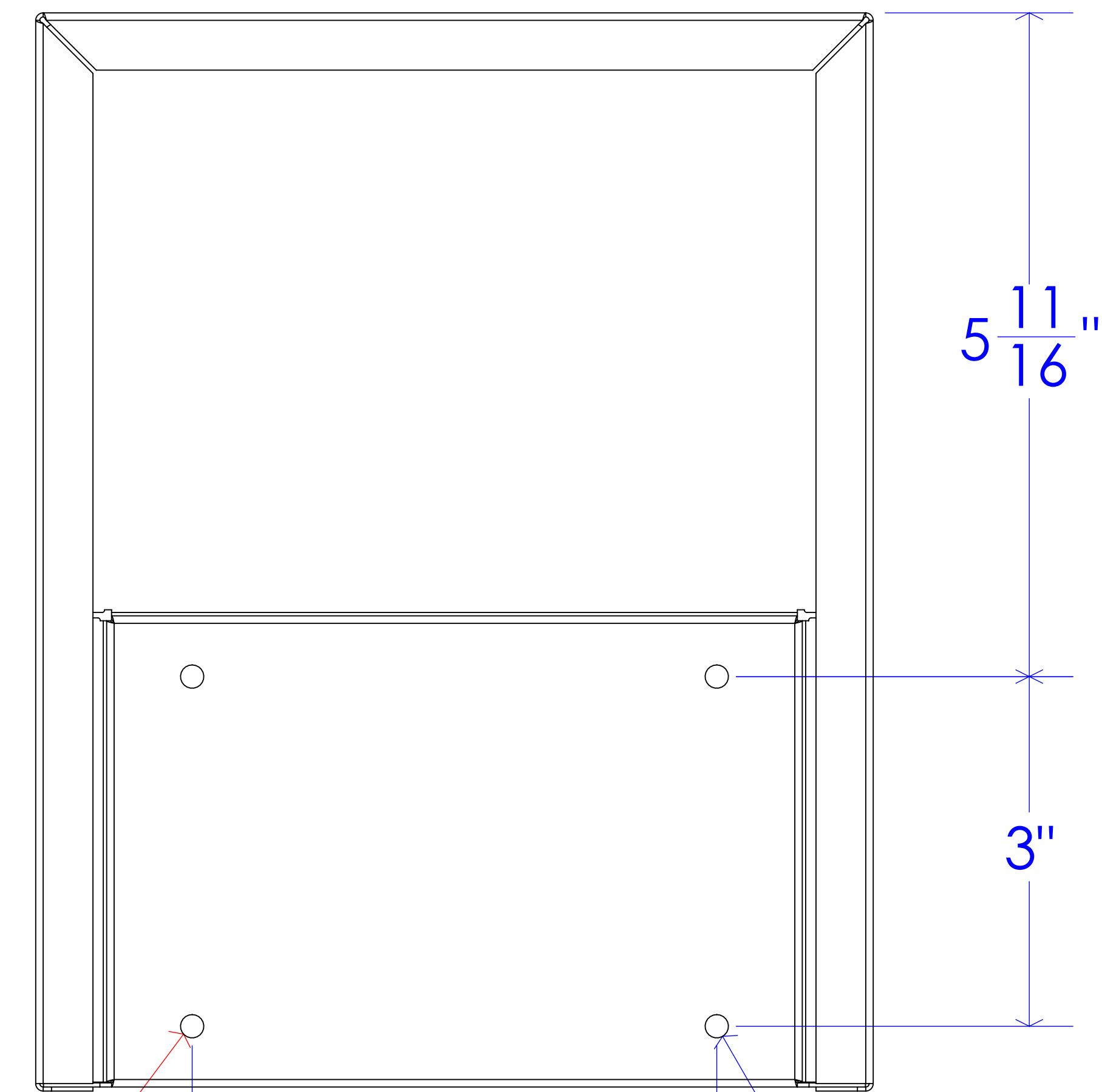


Front view

lock

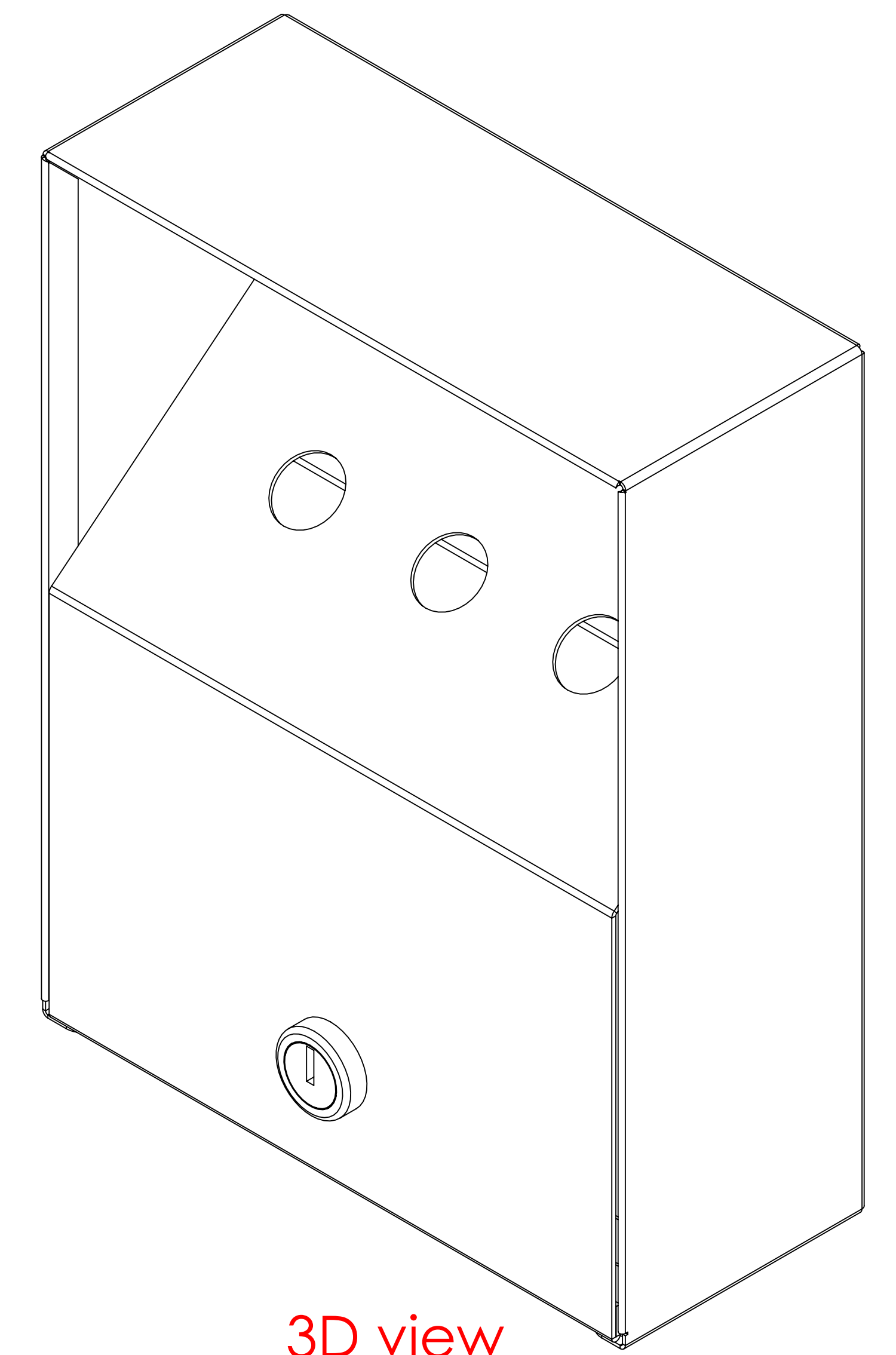


Side view



Back view

mounting hole (4)



3D view

48" (1220mm) Max. inlet height for unrestricted access

Floor

PROPRIETARY AND CONFIDENTIAL  
 THE INFORMATION CONTAINED IN THIS DRAWING IS THE SOLE PROPERTY OF  
 FROST PRODUCTS LTD. ANY REPRODUCTION IN PART OR AS A WHOLE WITHOUT  
 THE WRITTEN PERMISSION OF FROST PRODUCTS LTD. IS PROHIBITED.

FROST PRODUCTS LTD.  
 5280 JOHN LUCAS DRIVE, BURLINGTON, ON, L7L 5Z9

|  |                               |                 |
|--|-------------------------------|-----------------|
| DATE: May 7, 2021                                    | TITLE: 908 HD Outdoor Ash Bin | DWG NO. 908 CAD |
| DO NOT SCALE DRAWING                                 |                               |                 |
| UNLESS OTHERWISE SPECIFIED DIMENSIONS ARE IN INCHES. |                               | SCALE: 1:1      |