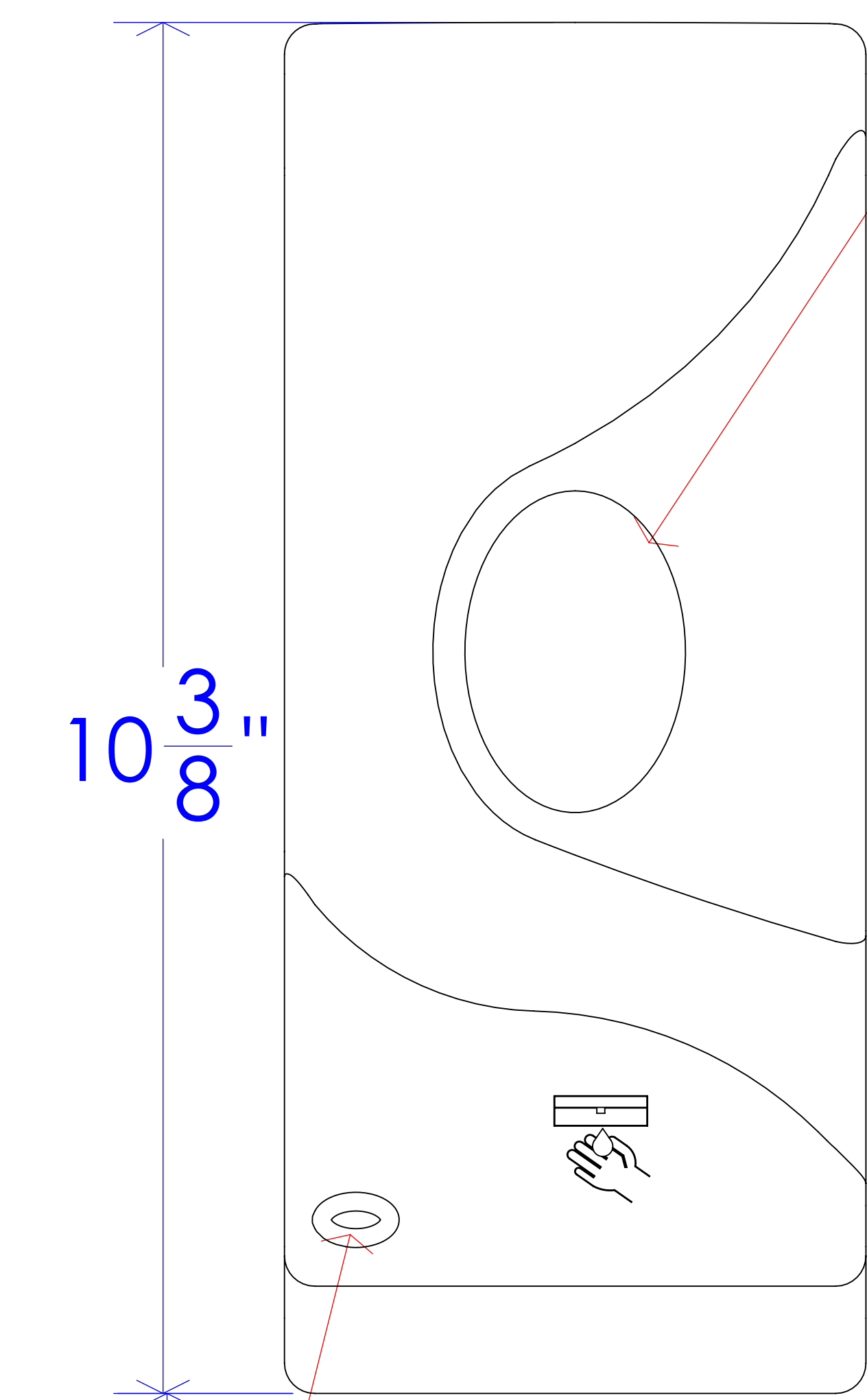


Top view



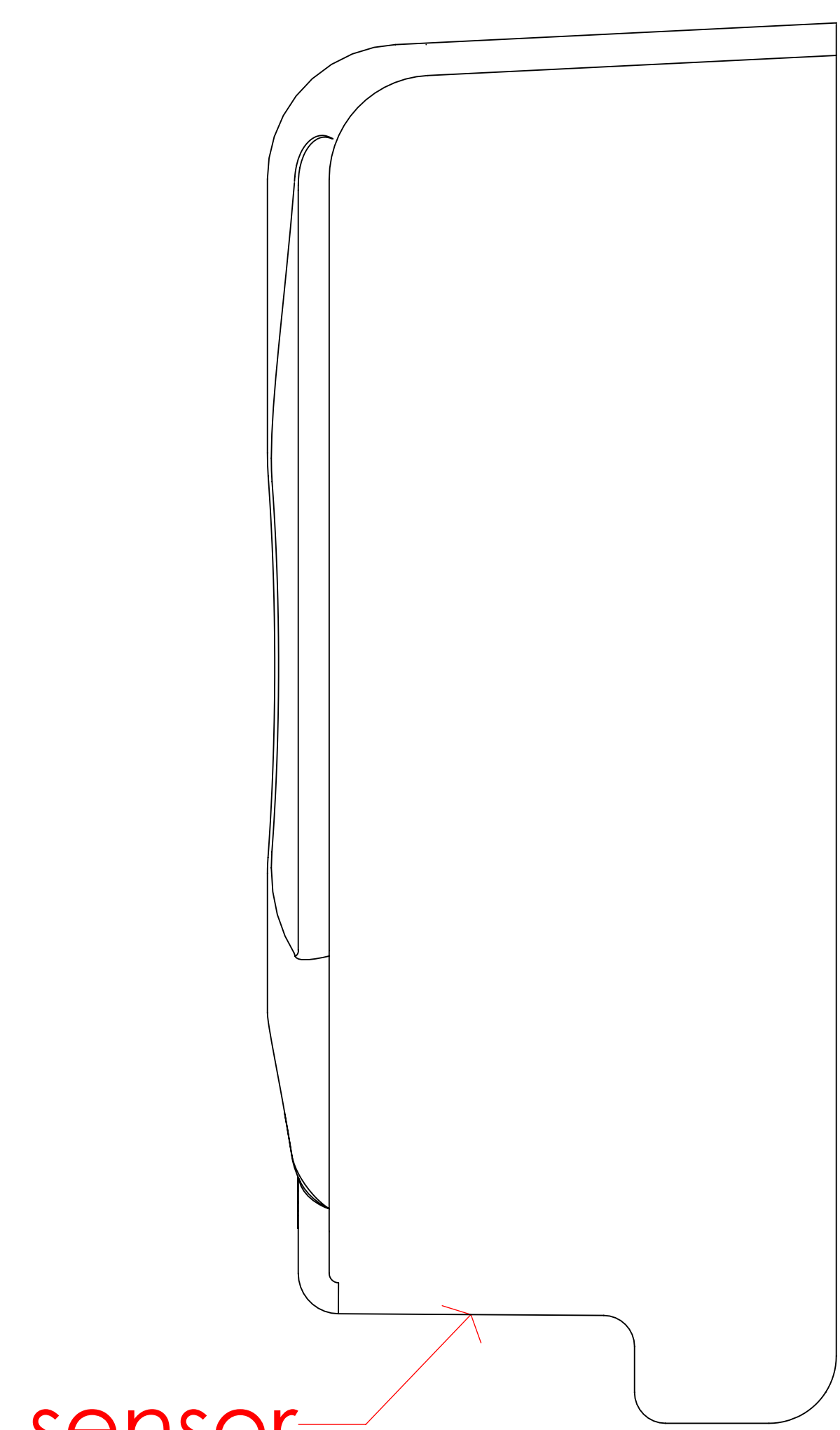
Front view

battery indicator light

44" [1117] Max. for unrestricted access

Floor

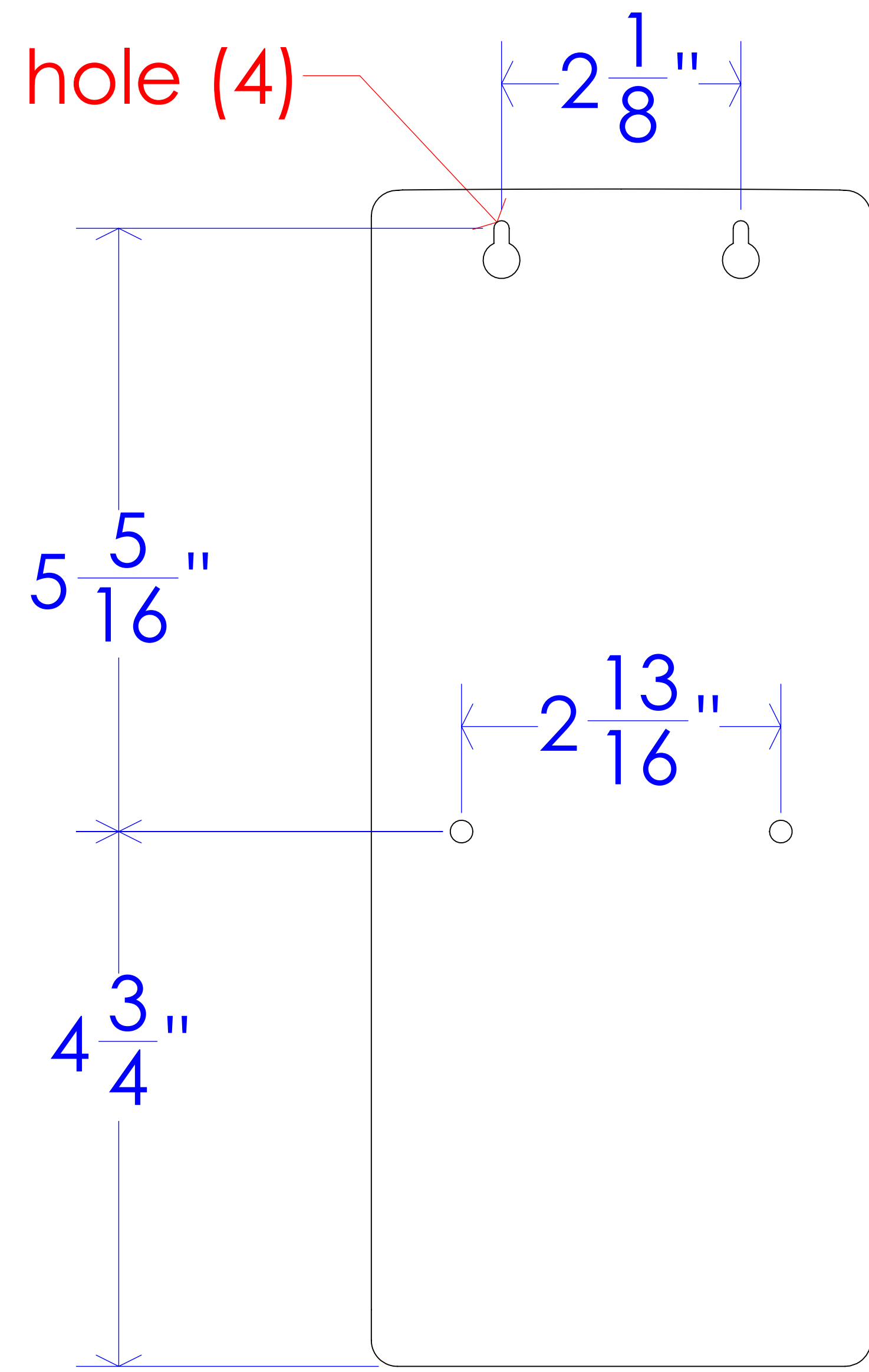
soap level window



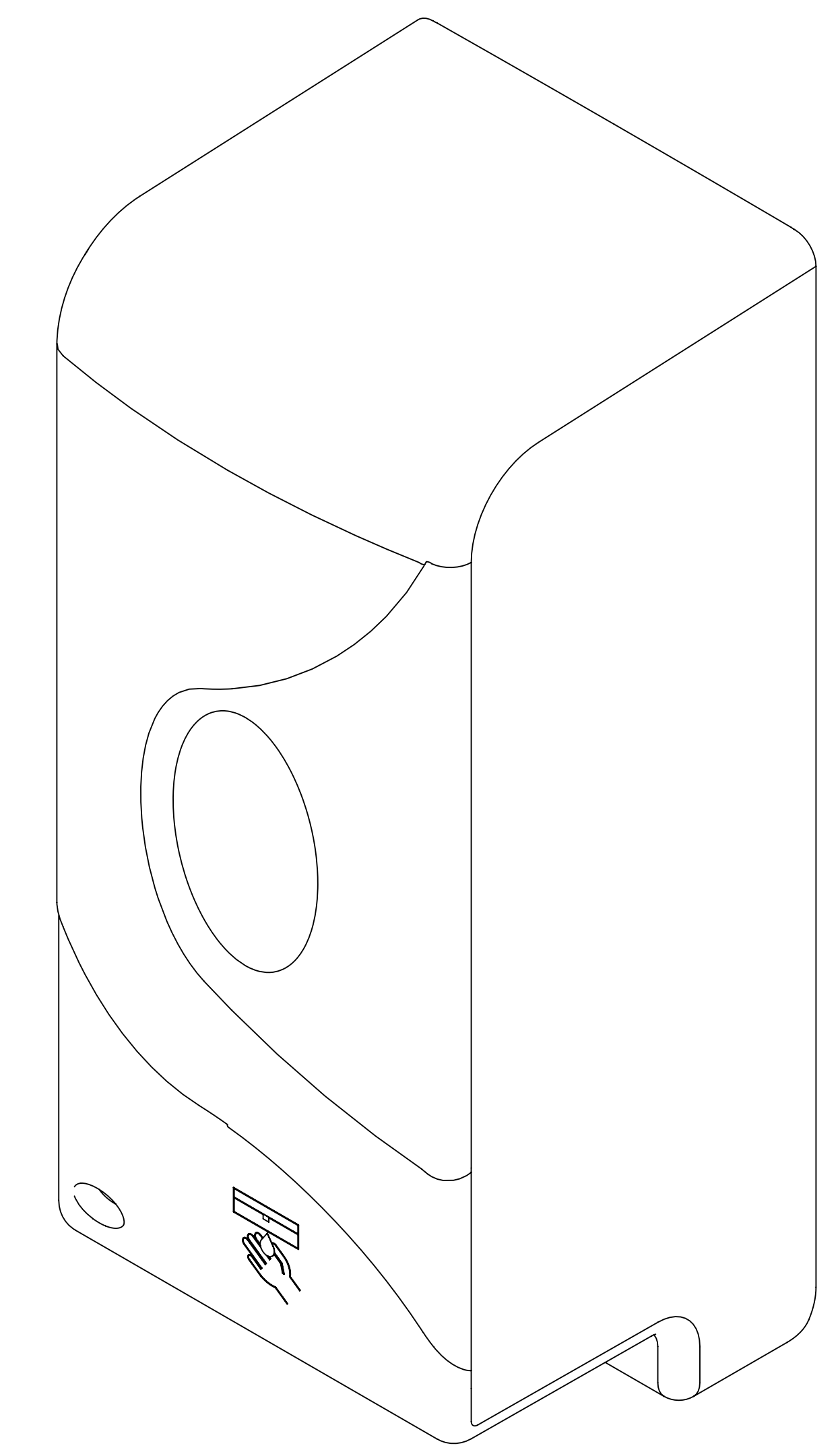
sensor

Side view

mounting hole (4)



Back view



3D view
code 714-P

*ensure unit is mounted 7.9"[200] above any horizontal surfaces
and 11.8"[300] above any stainless steel surfaces

PROPRIETARY AND CONFIDENTIAL
THE INFORMATION CONTAINED IN THIS DRAWING IS THE SOLE PROPERTY OF
FROST PRODUCTS LTD. ANY REPRODUCTION IN PART OR AS A WHOLE WITHOUT
THE WRITTEN PERMISSION OF FROST PRODUCTS LTD. IS PROHIBITED.

FROST PRODUCTS LTD.
5280 JOHN LUCAS DRIVE, BURLINGTON, ON, L7L 5Z9

DATE: October 14, 2021	TITLE: 714-P	DWG NO. 714-P CAD
DO NOT SCALE DRAWING		
UNLESS OTHERWISE SPECIFIED DIMENSIONS ARE IN INCHES.		SCALE: 1:1