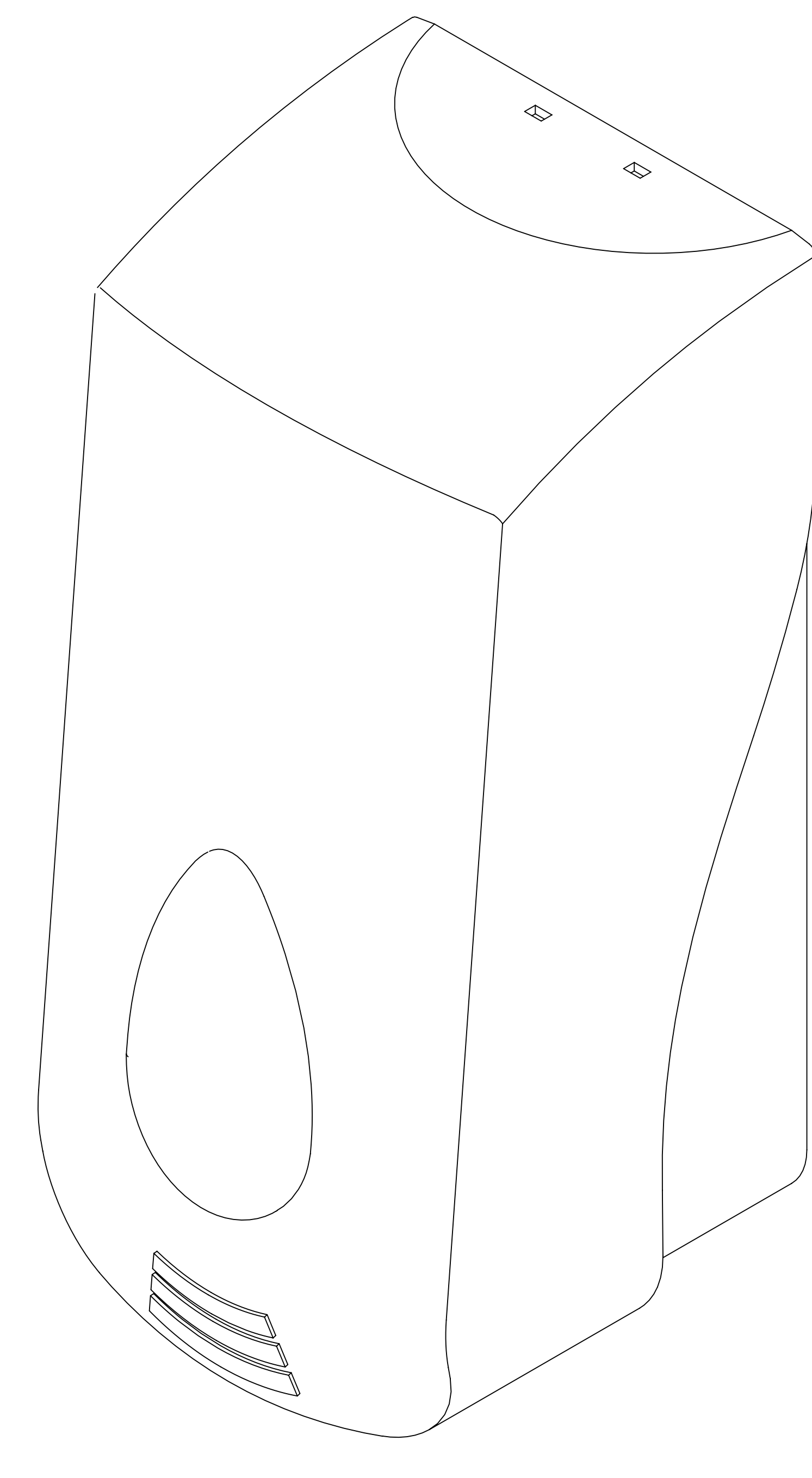
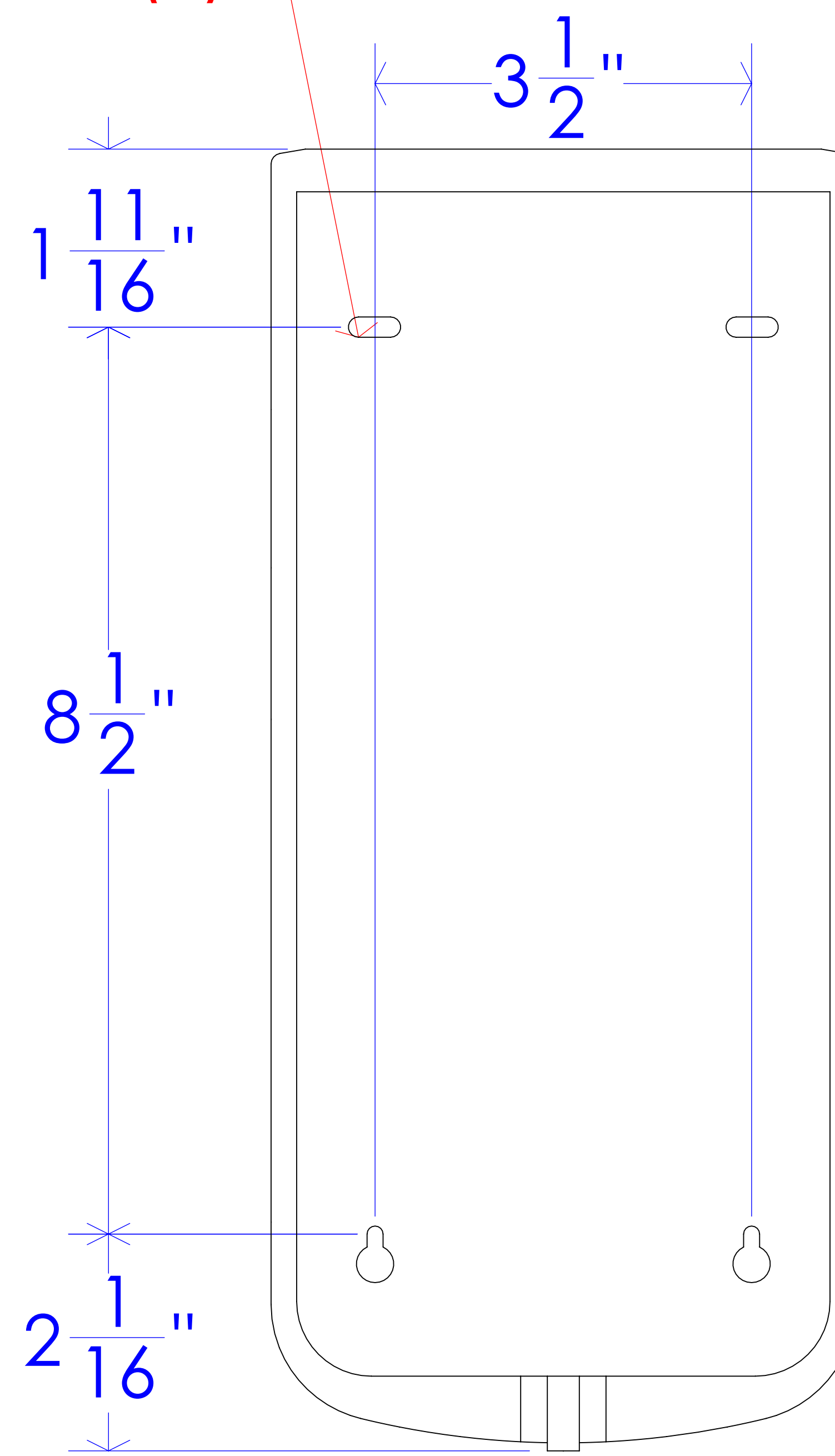


mounting hole (4)



code 707-2L

15" to 48" [381 to 1220] height above floor for unrestricted access

Floor

PROPRIETARY AND CONFIDENTIAL
 THE INFORMATION CONTAINED IN THIS DRAWING IS THE SOLE PROPERTY OF
 FROST PRODUCTS LTD. ANY REPRODUCTION IN PART OR AS A WHOLE WITHOUT
 THE WRITTEN PERMISSION OF FROST PRODUCTS LTD. IS PROHIBITED.

FROST PRODUCTS LTD.
 5280 JOHN LUCAS DRIVE, BURLINGTON, ON, L7L 5Z9

DATE: October 14, 2021	TITLE: 707-2L	DWG NO. 707-2L CAD
DO NOT SCALE DRAWING		
UNLESS OTHERWISE SPECIFIED DIMENSIONS ARE IN INCHES.		SCALE: 1:1