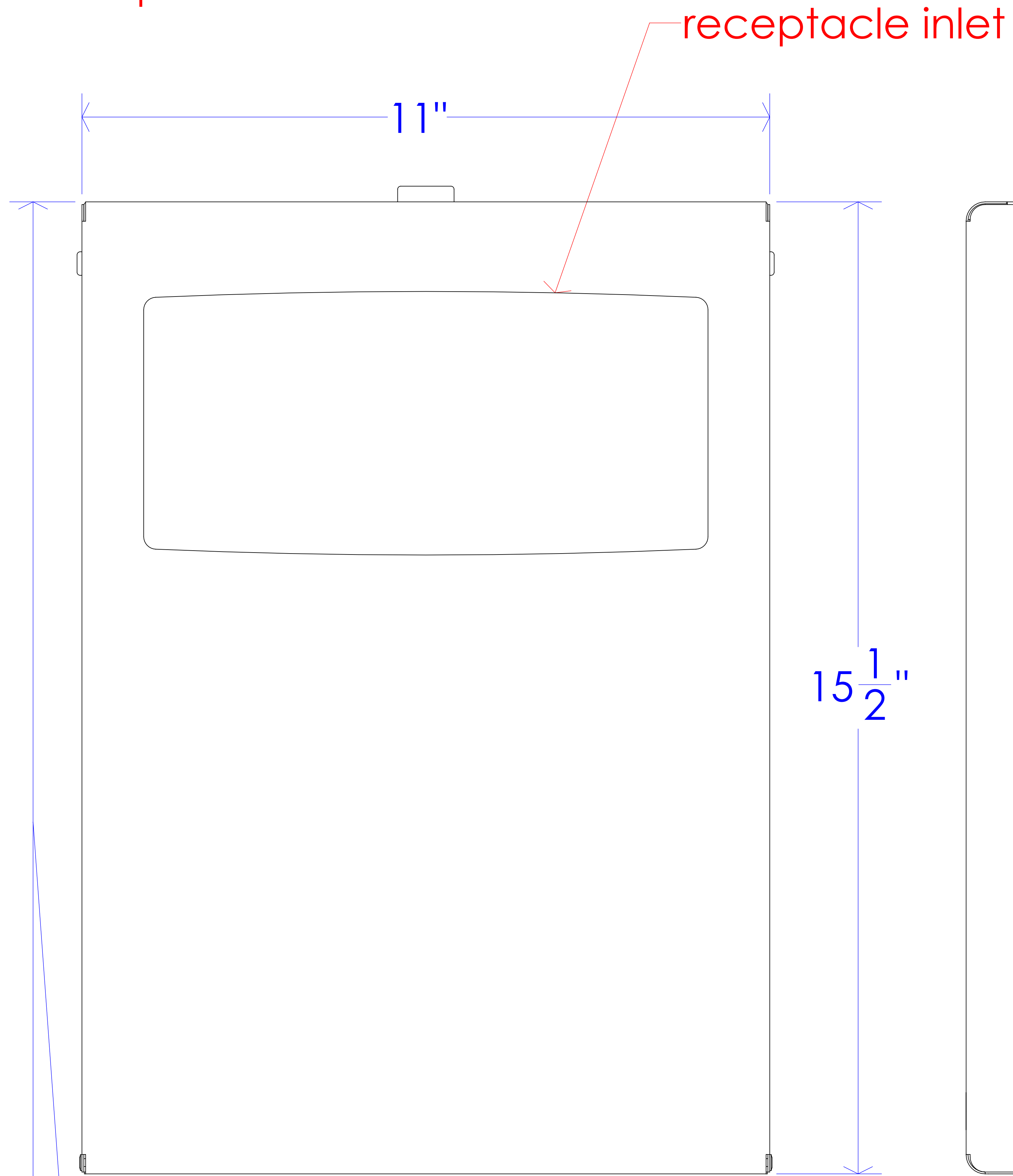
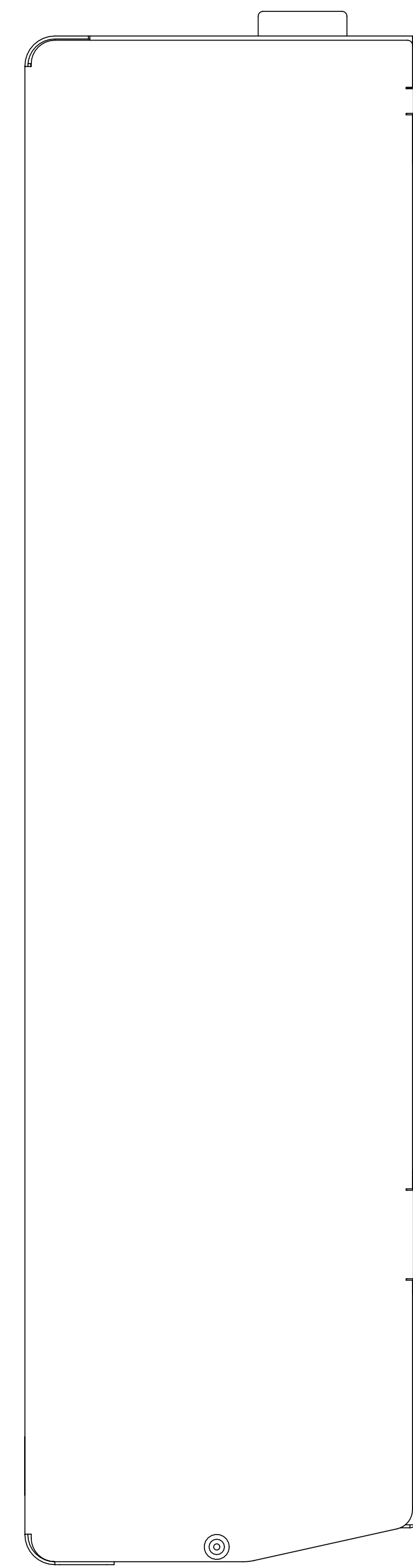


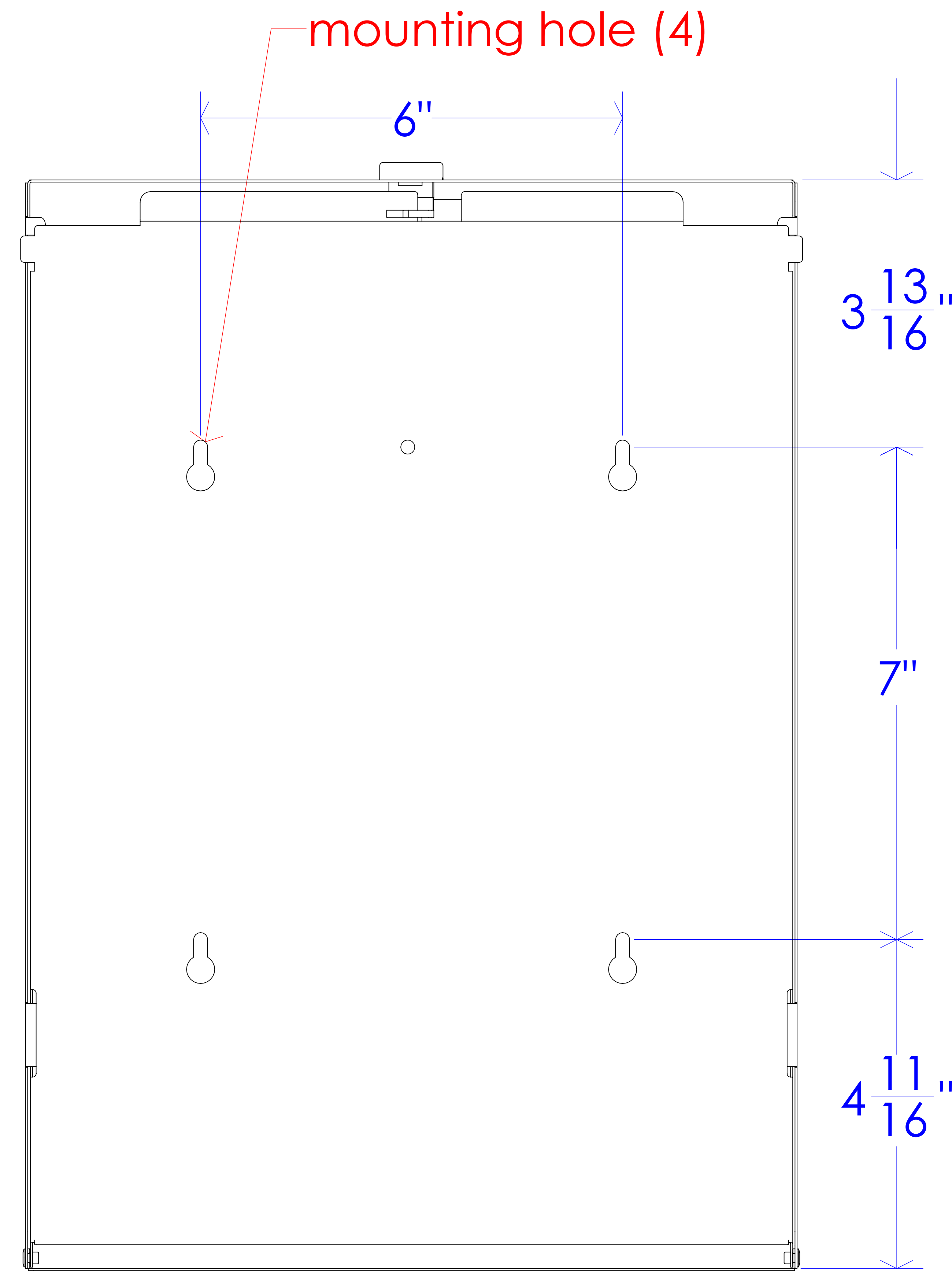
Top view



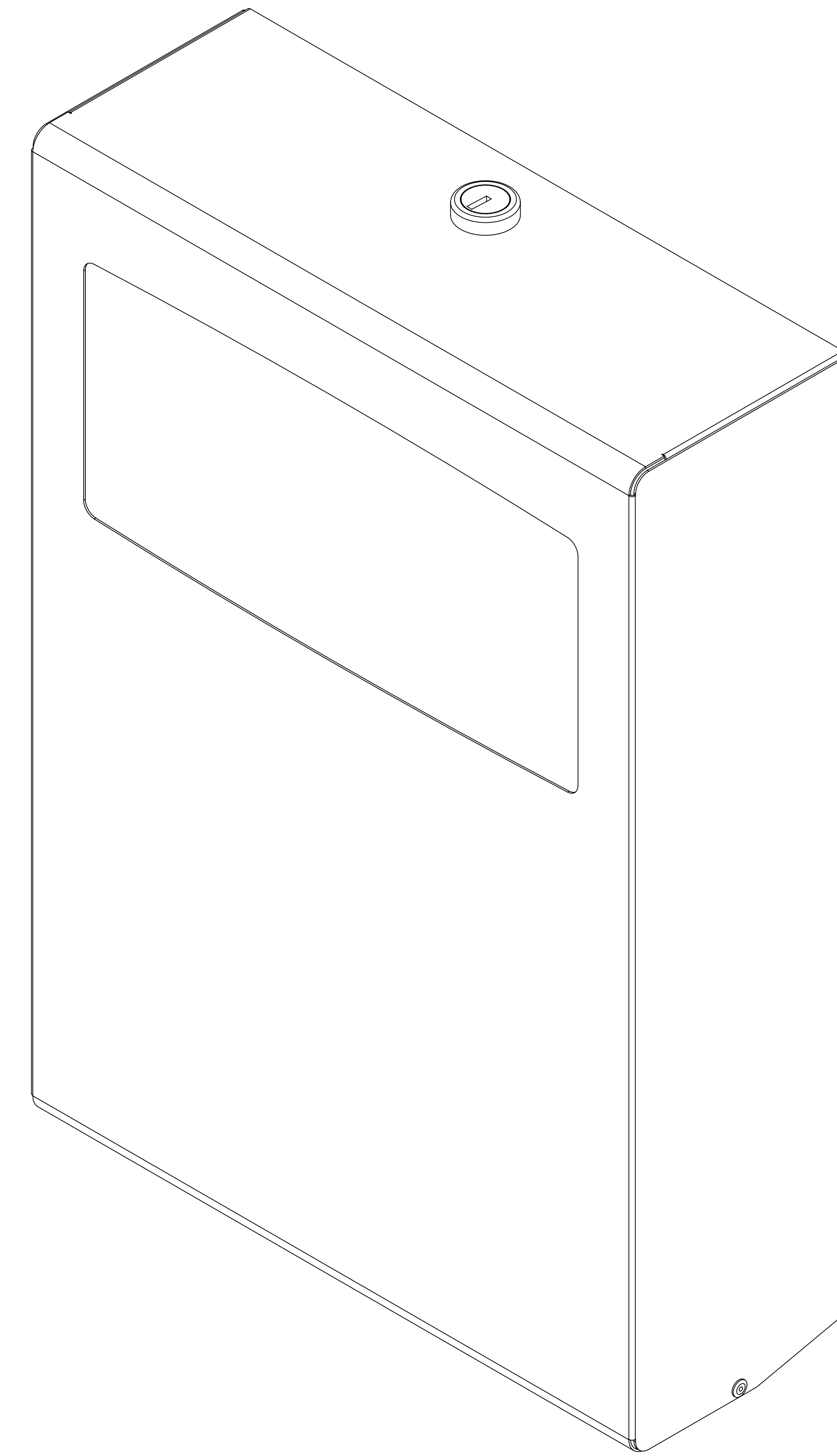
Front view



Side view



Back view - mounting holes



3D view

48" (1220mm) Max height above floor for barrier free mounting

Floor

PROPRIETARY AND CONFIDENTIAL
 THE INFORMATION CONTAINED IN THIS DRAWING IS THE SOLE PROPERTY OF
 FROST PRODUCTS LTD. ANY REPRODUCTION IN PART OR AS A WHOLE WITHOUT
 THE WRITTEN PERMISSION OF FROST PRODUCTS LTD. IS PROHIBITED.

FROST PRODUCTS LTD.
 5280 JOHN LUCAS DRIVE, BURLINGTON, ON, L7L 5Z9

DATE: April 19, 2021	TITLE: 641 Napkin Disposal Assembly	DWG NO. 641-Napkin Disposal
DO NOT SCALE DRAWING		
UNLESS OTHERWISE SPECIFIED DIMENSIONS ARE IN INCHES.		SCALE: 1:1