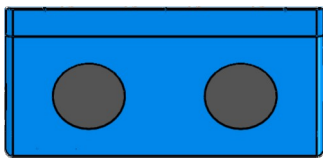


- Code 315: Modular Recycling Station, blue and grey two tone finish. Includes two roto-moulded plastic liners and category labels in French and English.
- Code 315-S: Modular Recycling Station - Stainless Steel
- Code 315-500: Additional plastic liner.
- Code 315-501: English and French label pack.

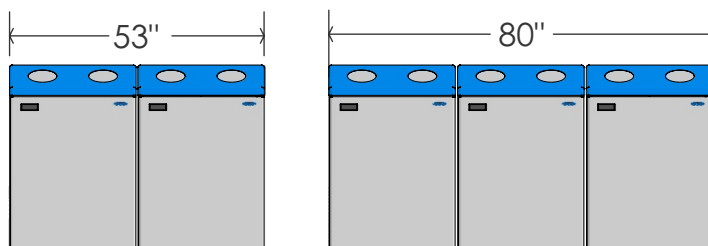
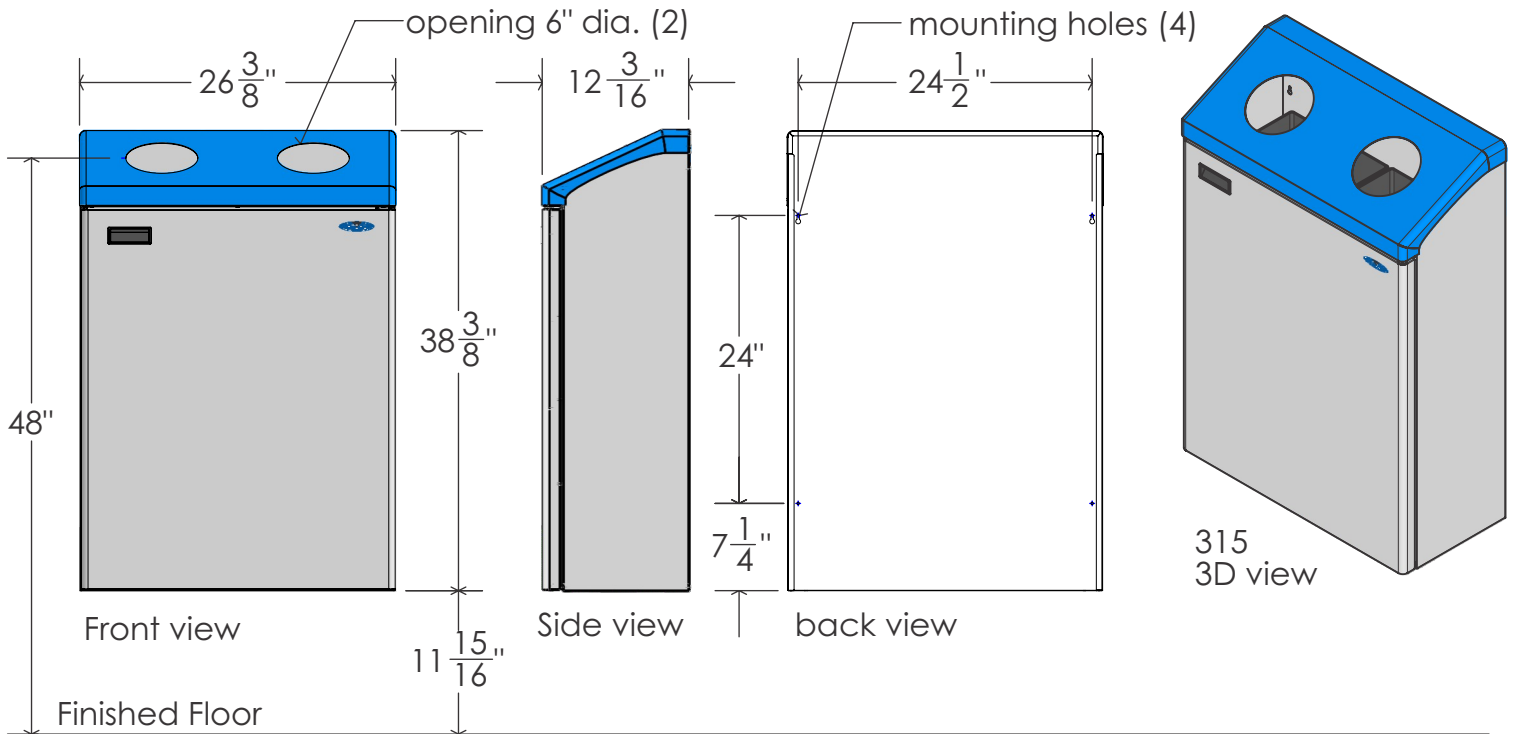


315-S
(Stainless steel finish)
3D view

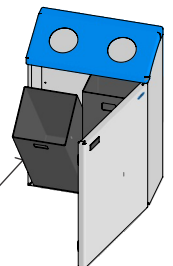
315
3D view



Top view



Roto moulded plastic liners
Capacity 65 litres each
Total cap. 130 litres



Multiple units can be mounted side by side as required