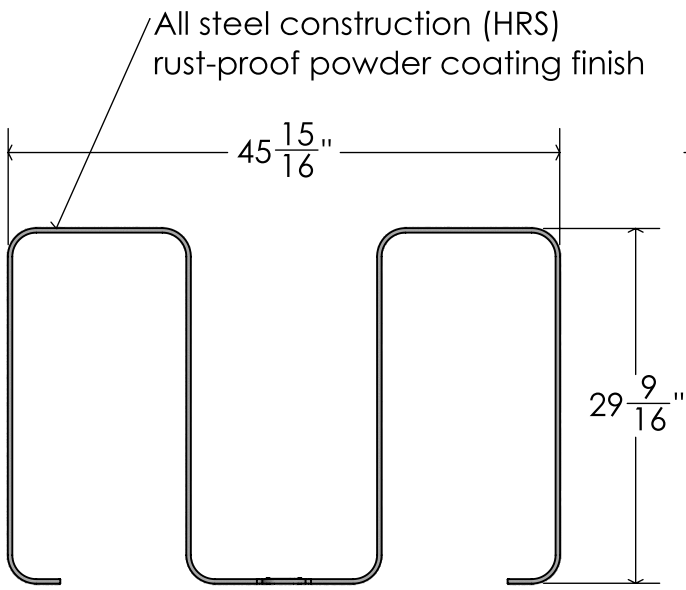
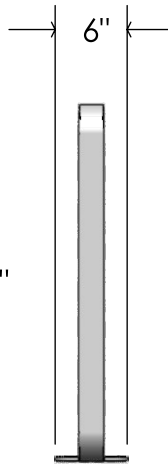


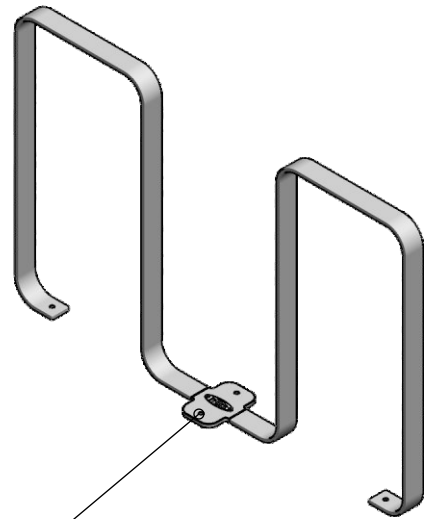
Top view



Front view



Side view



Mounting holes(4)