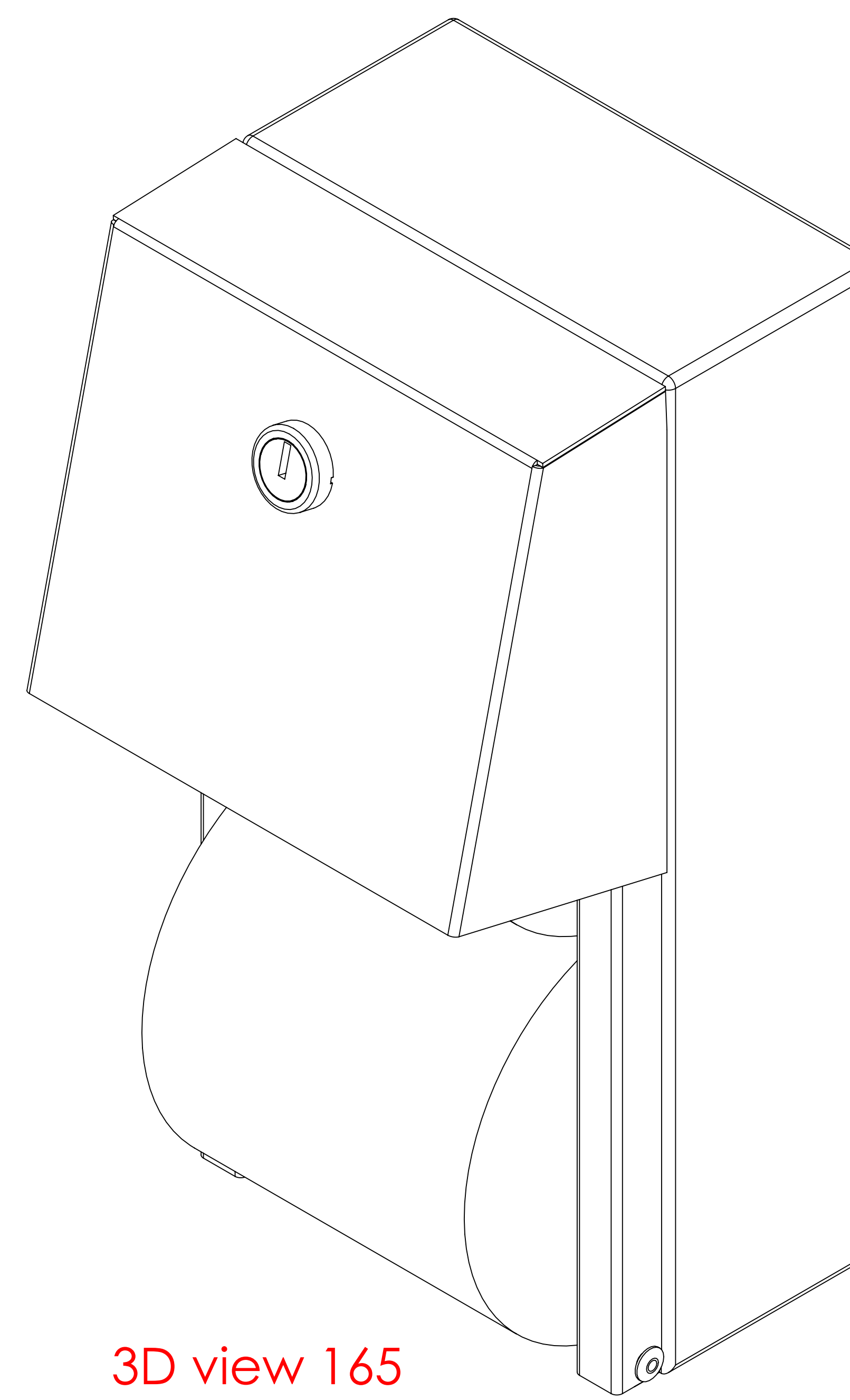
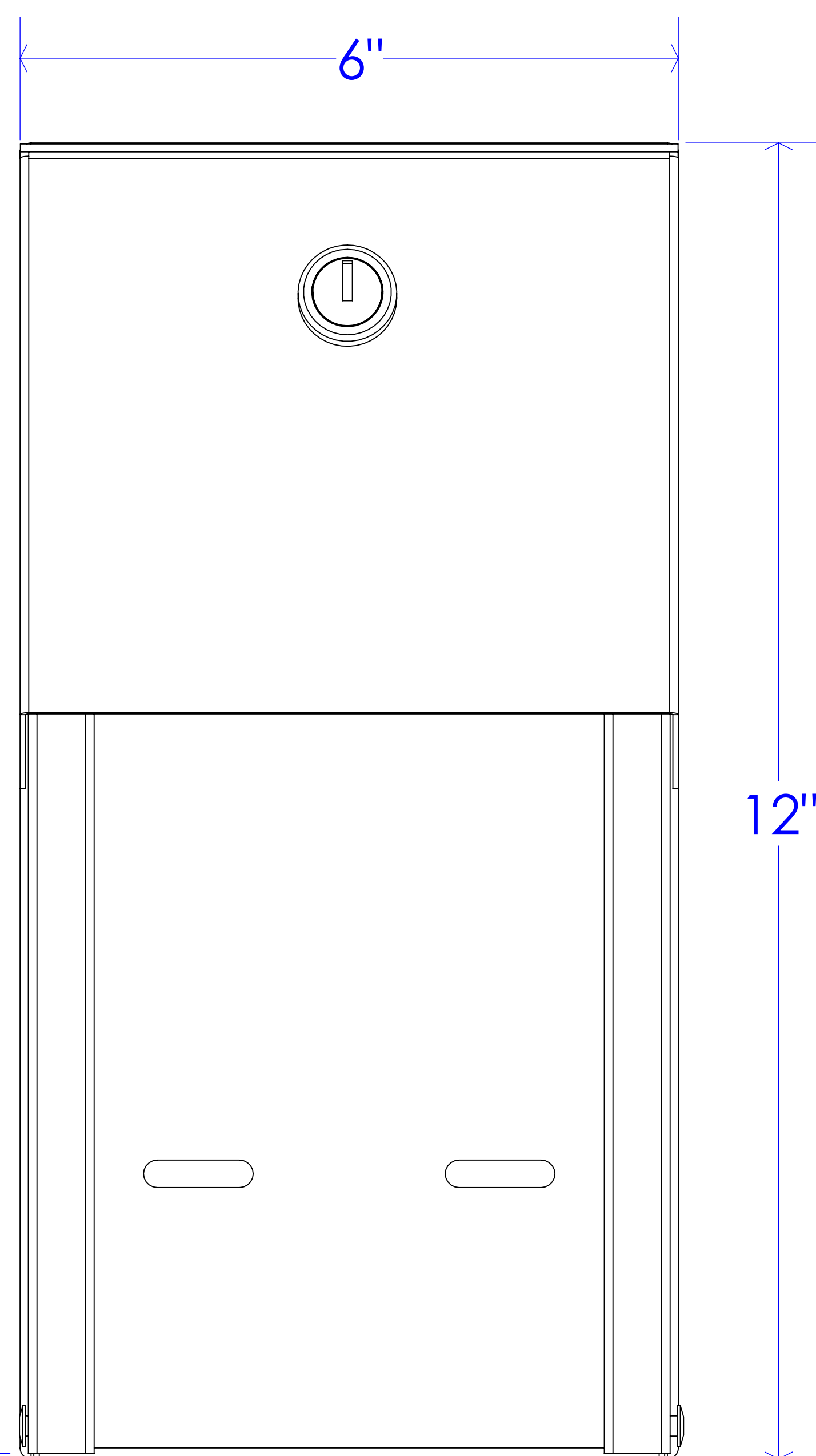


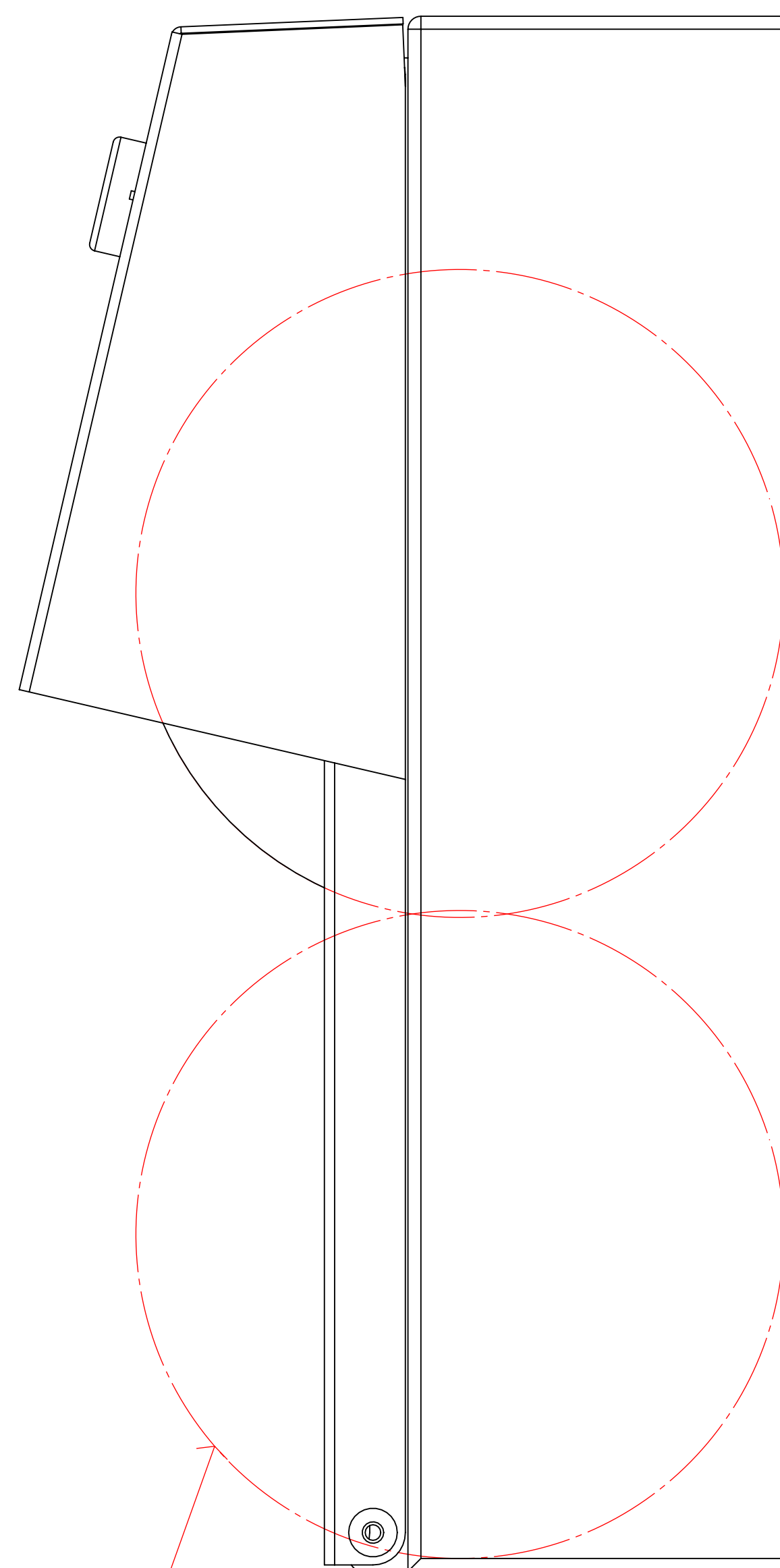
Top view



3D view 165

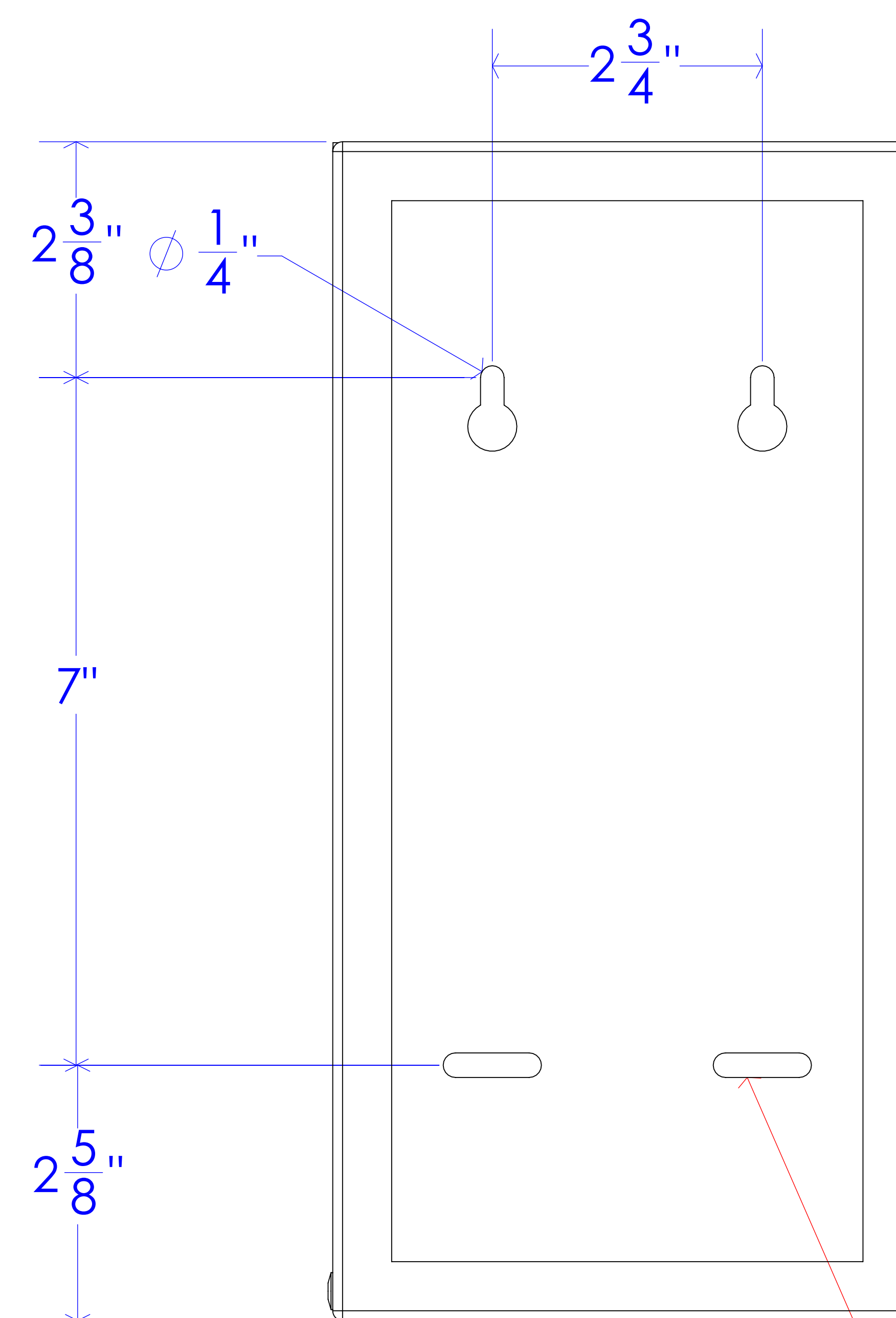


Front view



Side view

2 roll capacity



Back view

mounting hole (4)

44" Max. (1117mm) for unrestricted access

Floor

PROPRIETARY AND CONFIDENTIAL
 THE INFORMATION CONTAINED IN THIS DRAWING IS THE SOLE PROPERTY OF
 FROST PRODUCTS LTD. ANY REPRODUCTION IN PART OR AS A WHOLE WITHOUT
 THE WRITTEN PERMISSION OF FROST PRODUCTS LTD. IS PROHIBITED.

FROST PRODUCTS LTD.
 5280 JOHN LUCAS DRIVE, BURLINGTON, ON, L7L 5Z9

DATE: June 9, 2021	TITLE:	165	DWG NO.
DO NOT SCALE DRAWING			165 CAD
UNLESS OTHERWISE SPECIFIED DIMENSIONS ARE IN INCHES.			SCALE: 1:1