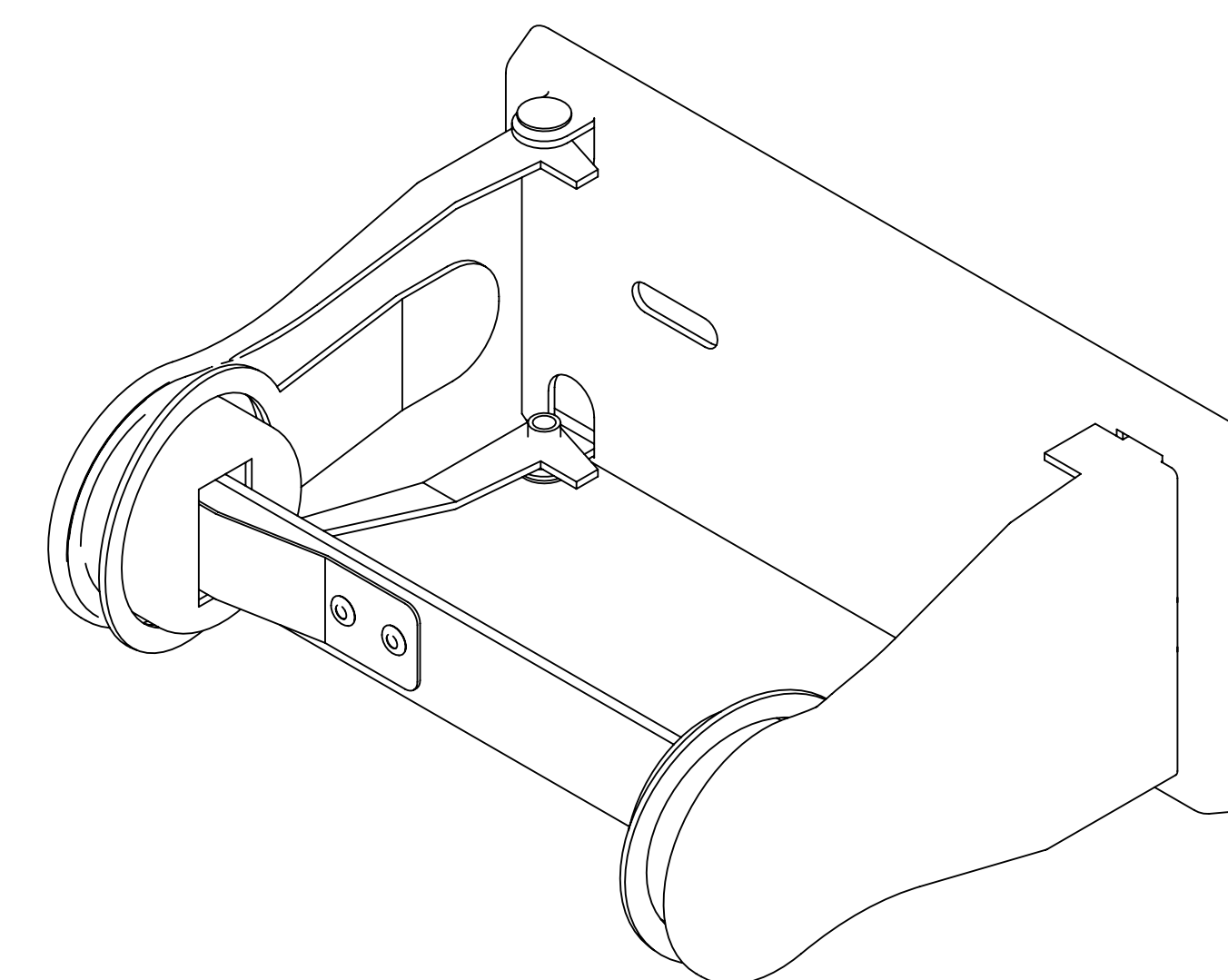
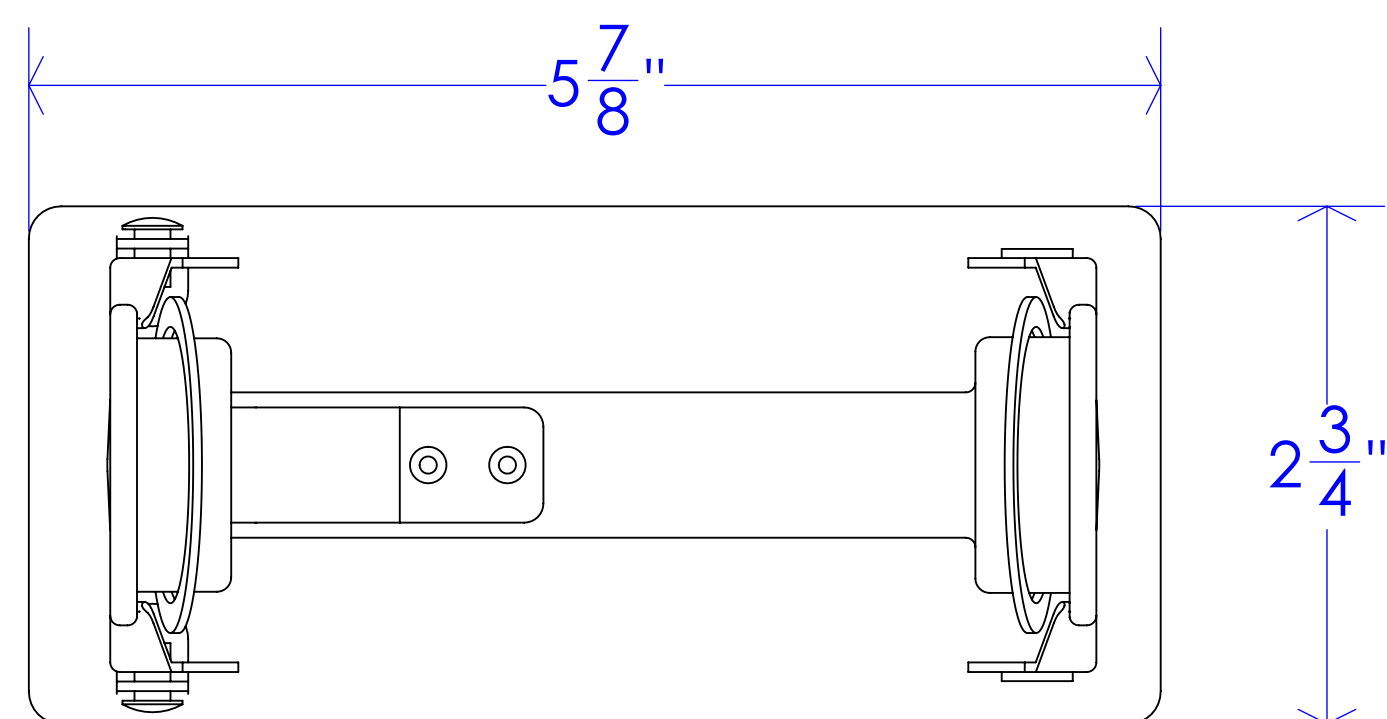


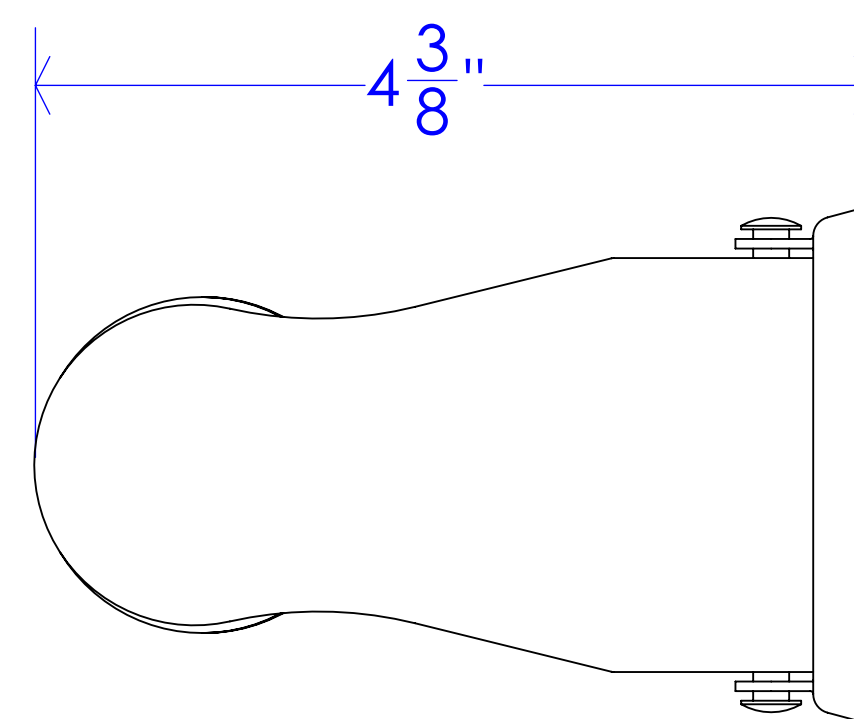
Top view



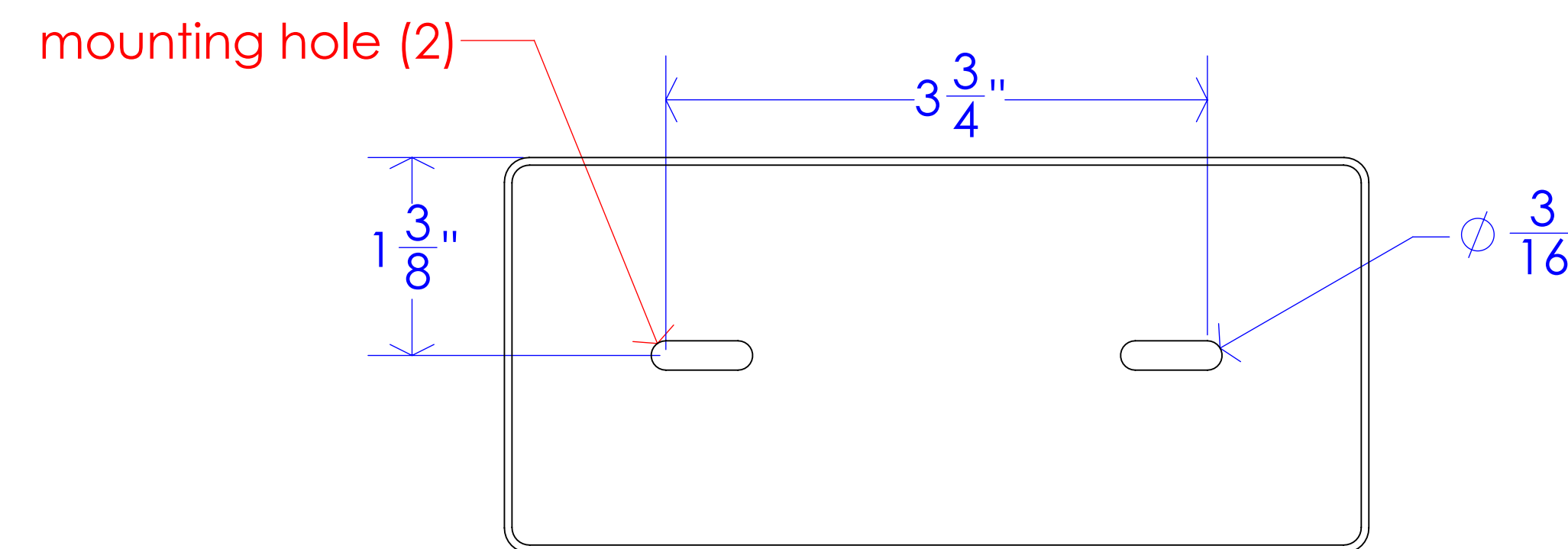
3D view Code 146



Front view



Side view



Back view

PROPRIETARY AND CONFIDENTIAL
 THE INFORMATION CONTAINED IN THIS DRAWING IS THE SOLE PROPERTY OF
 FROST PRODUCTS LTD. ANY REPRODUCTION IN PART OR AS A WHOLE WITHOUT
 THE WRITTEN PERMISSION OF FROST PRODUCTS LTD. IS PROHIBITED.

FROST PRODUCTS LTD.
 5280 JOHN LUCAS DRIVE, BURLINGTON, ON, L7L 5Z9

DATE: July 1, 2021	TITLE: 146 Single roll dispenser	DWG NO. 146 CAD
DO NOT SCALE DRAWING		
UNLESS OTHERWISE SPECIFIED DIMENSIONS ARE IN INCHES.		SCALE: 1:1