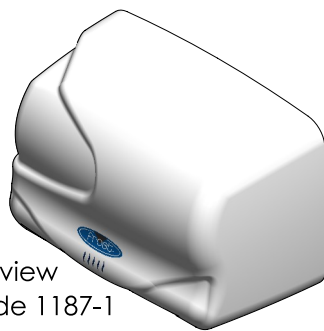
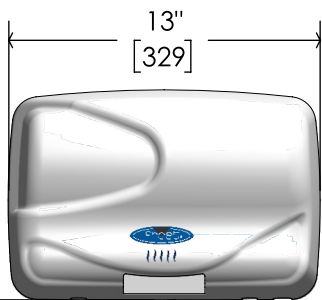




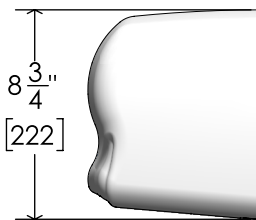
Top view



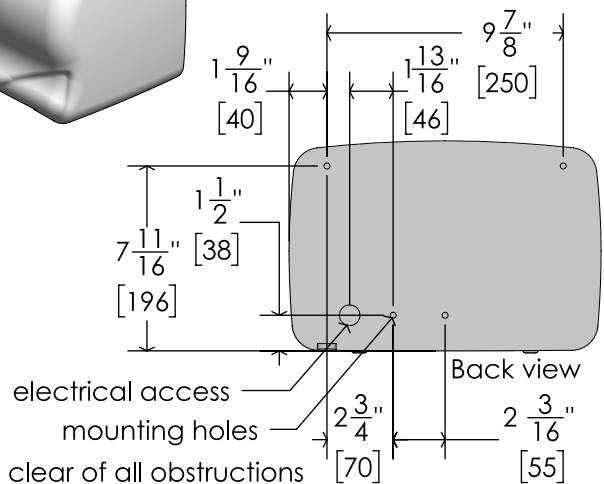
3D view
code 1187-1



Front view



Side view



Back view

tamper resistant cover screw (2)

electrical access
mounting holes

12" (30 cm) below sensor area must be clear of all obstructions



48" [1220] Max height above floor for barrier free access

Floor