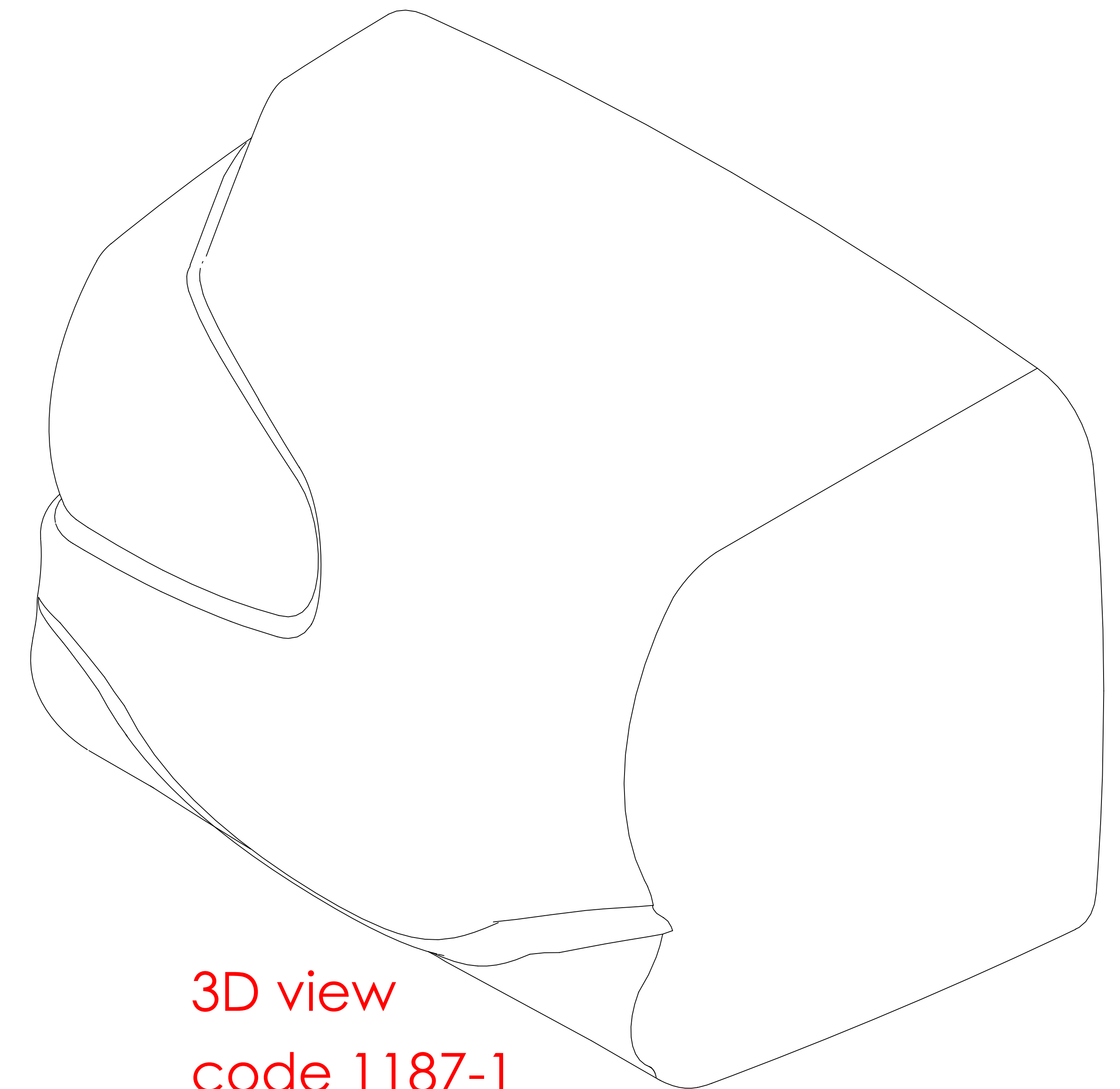
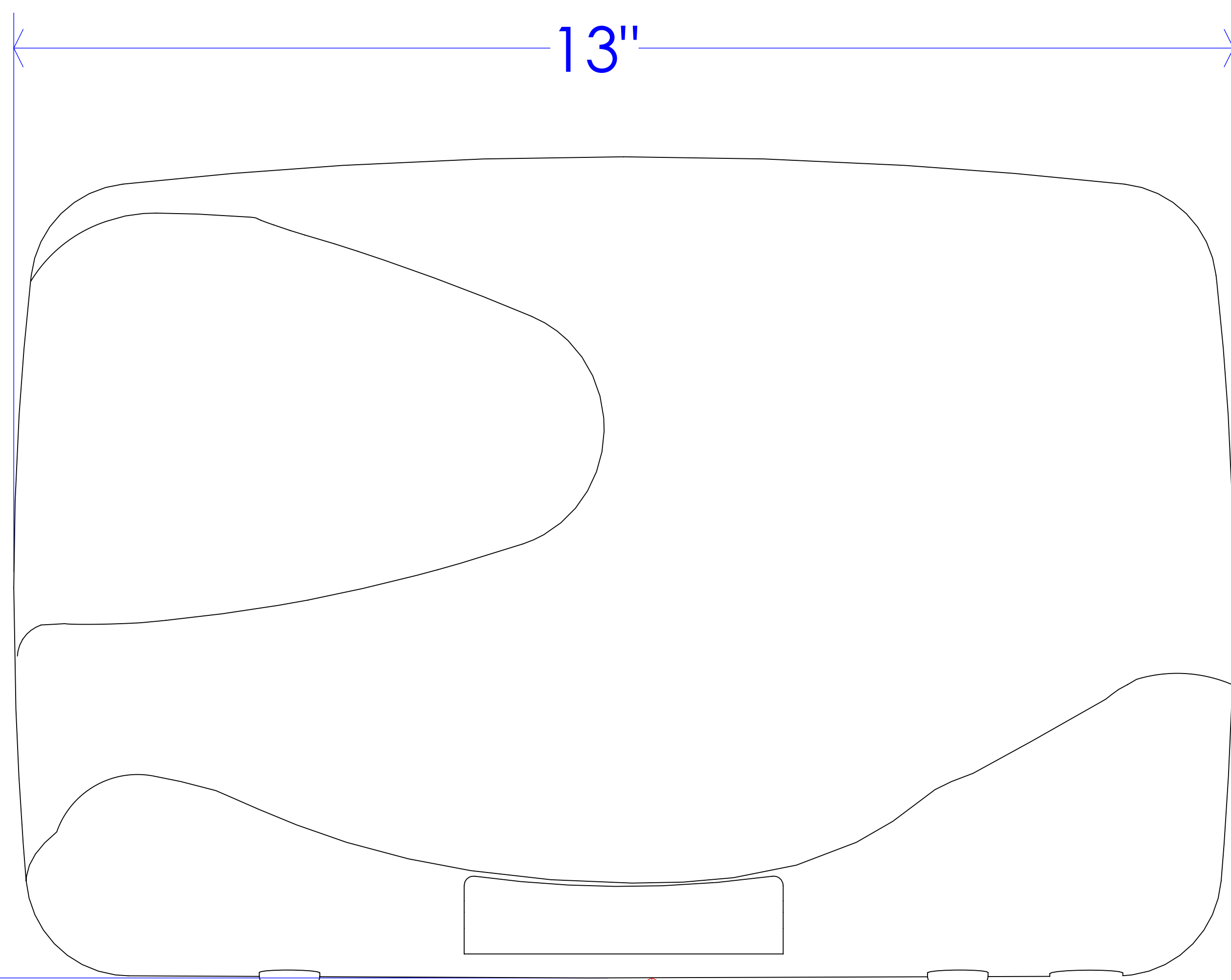


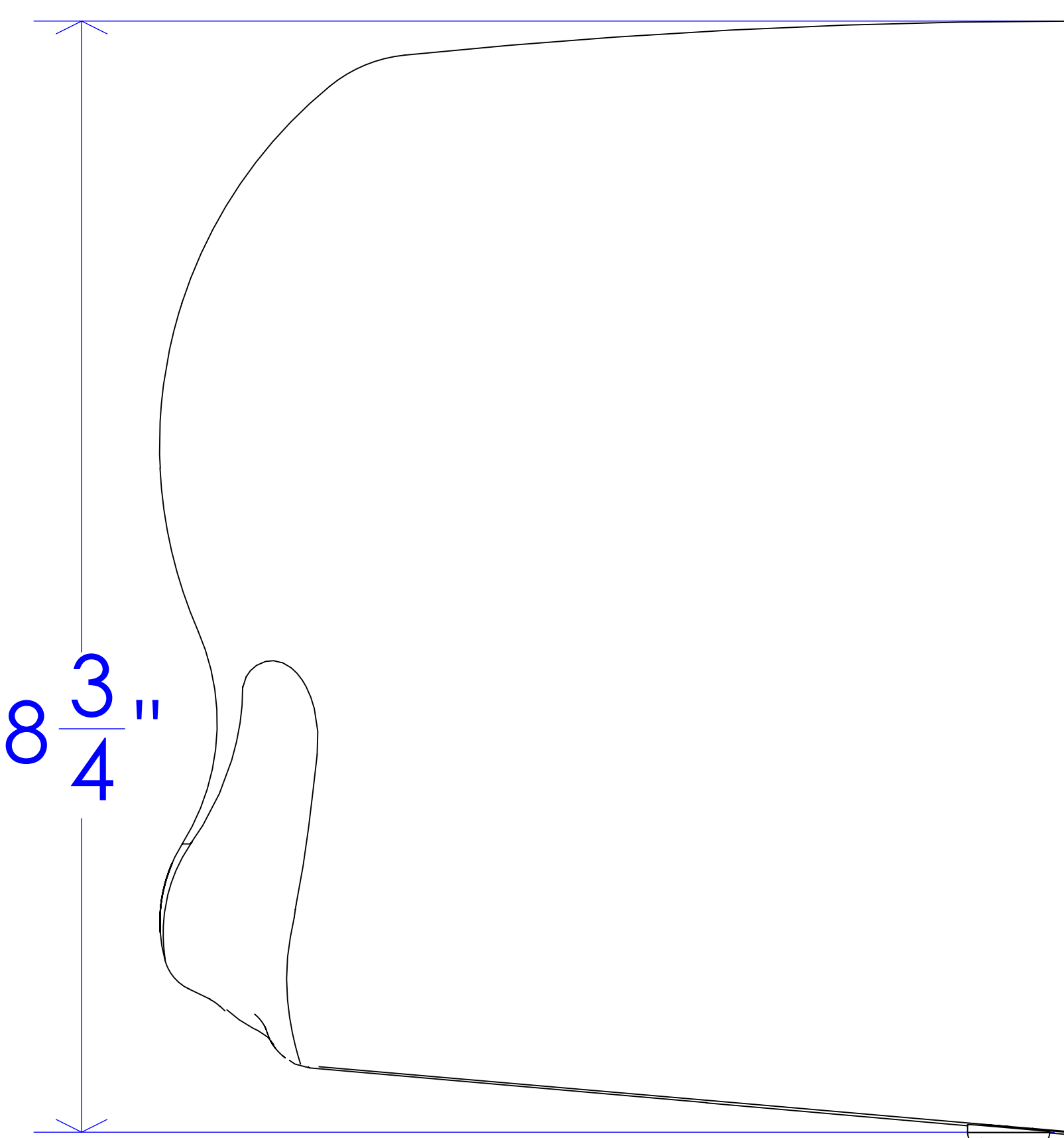
Top view



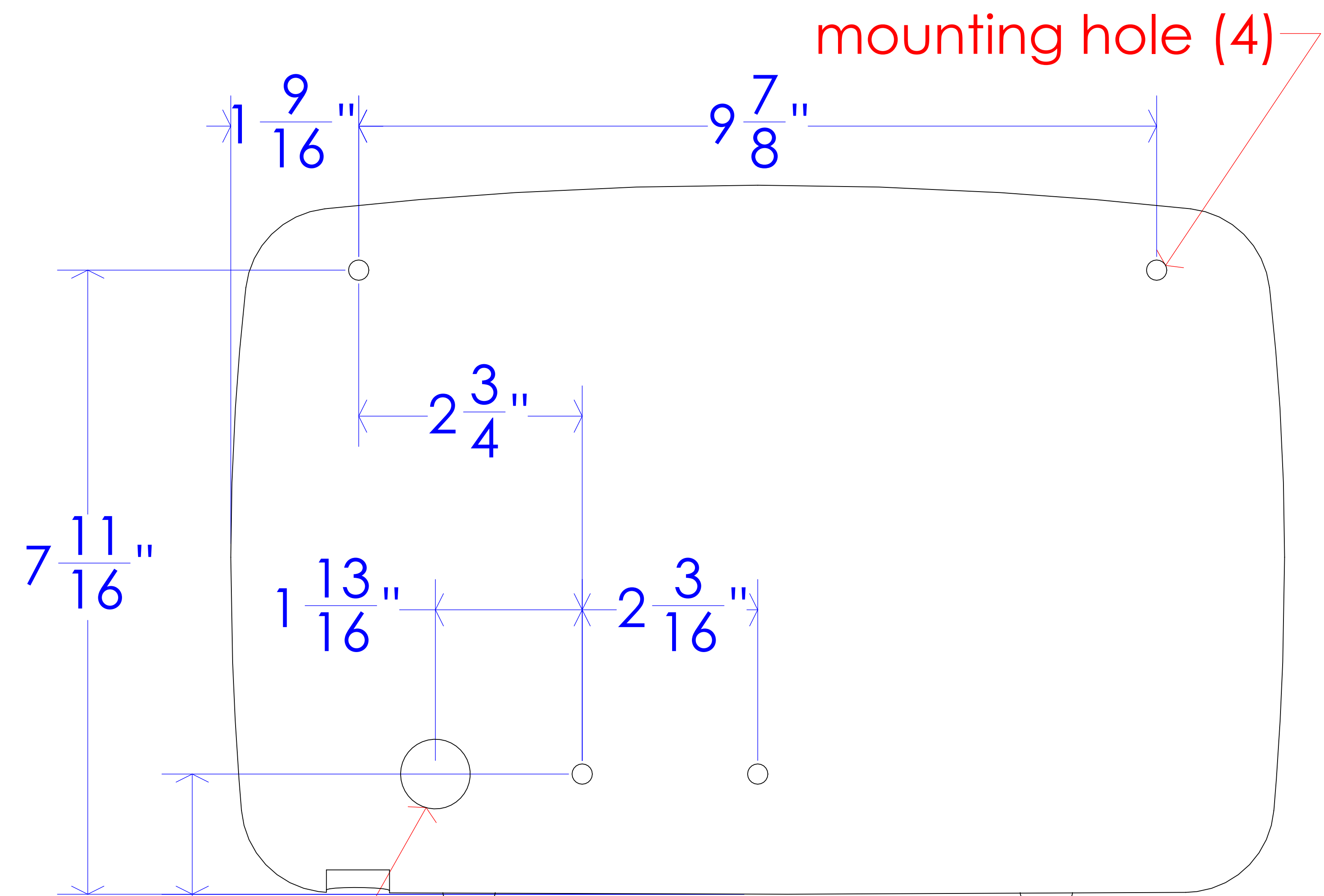
3D view
code 1187-1



Front view



Side view



Back view

tamper resistant cover screw (2)

12" (30 cm) below sensor area must be clear of all obstructions

48" [1220] Max height above floor for barrier free access

Floor

PROPRIETARY AND CONFIDENTIAL
THE INFORMATION CONTAINED IN THIS DRAWING IS THE SOLE PROPERTY OF
FROST PRODUCTS LTD. ANY REPRODUCTION IN PART OR AS A WHOLE WITHOUT
THE WRITTEN PERMISSION OF FROST PRODUCTS LTD. IS PROHIBITED.

FROST PRODUCTS LTD.
5280 JOHN LUCAS DRIVE, BURLINGTON, ON, L7L 5Z9

DATE: October 19, 2021

TITLE:

DWG NO.

1187-1

1187-1 CAD

DO NOT SCALE DRAWING

UNLESS OTHERWISE SPECIFIED DIMENSIONS ARE IN INCHES.

SCALE: 1:1