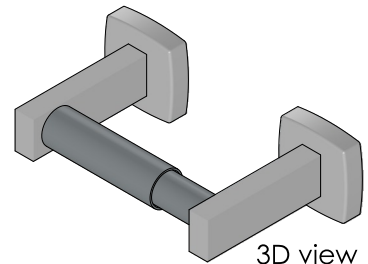
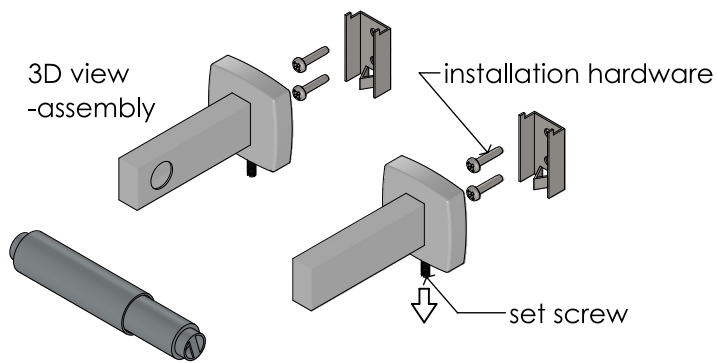


3D view  
-assembly



3D view  
code 1135-S

