



Since 1961

**Frost Products Ltd.**  
hygienic solutions at work



**SANITATION & ARCHITECTURAL**  
accessories



## **Frost Products Ltd. Turns 55!**

In celebration of our 55th anniversary we would first like to thank our customers, employees and professional service providers. Your devoted support, hard work and sound advice has been vital in helping us reach this special milestone.

From our beginning in 1961, Frost has been committed to becoming a leading Canadian manufacturer of quality products. Our development of Sanitation and Architectural products has allowed us to work closely within the Healthcare, Education, Food Service, Industrial and Institutional markets. Today the Frost Products brand is well recognized for quality and value in commercial markets throughout Canada, the United States, Mexico and abroad.

In recent years Frost has focused on the development and design of a wide range of hands free and environmentally friendly products. Our theme of “Hygienic Solutions at Work” emphasizes our commitment to providing sanitation products that meet present day market demands and concerns.

Frost Products will continue to offer innovative hygienic product solutions, while delivering the quality we have built our reputations on. We believe our first 50 years is just the beginning!



**Hygienic Solutions at work**

### **Yesterday and today**



In 1961 Frost Products produced a wide variety of quality Canadian made furniture and fixtures. Operating from a 6,000 sq. ft. facility in Hamilton Ontario, Frost begins to build it’s reputation for quality and service.

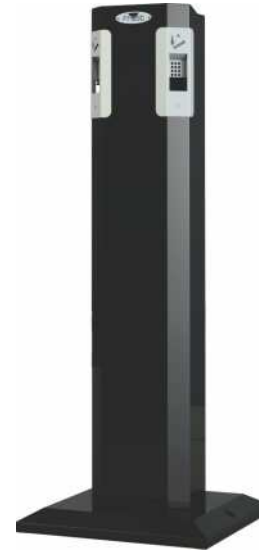


Today, Frost Products Ltd. continues it’s commitment to providing quality and value. Operating from over 40,000 sq. ft. in two buildings, we continually strive to improve our core strength with upgraded manufacturing capabilities and human resources.

## Legend

Product Category:	Page
Dispensers for paper products	4-11
Waste receptacles, recycling	12-16
Combination dispenser / disposal fixtures	18-20
Sanitary napkin vendors	21-23
Sanitary napkin disposal units	23-24
Soap dispensers	25-27
Medicine cabinets	28
Ashtrays	29-30
Mirrors	31-32
Shelves and standard signage	33
Shower seats	34
Grab bars	35-36
Janitorial accessories	37-38
Washroom accessories	39-40
Hand / Hair dryers	41
Site Furnishings	42

A couple of our recent additions to our product line.



Code 920,  
Outdoor ashtray  
Page 30.



Code 1119,  
Wet Floor Sign  
Page 37.

## Materials and Finishes



### Type 304 No. 4 finish

Type 304 stainless is a standard all purpose grade recommended for food, dairy, chemical and medical industries. It is also widely used in architectural applications due to its excellent corrosion resistance. The No. 4 finish, a Frost standard, is widely used in restaurant, architectural, medical and food processing products. All Frost stainless steel products are shipped with a removable protective plastic coating to insure a blemish free product when installed on site.



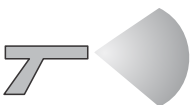
### Bright Chrome Finish

In addition to stainless steel Frost offers many of its most popular products in a "bright" chrome finish. These products are fabricated from pre-chromed sheet steel using the same processes as with the stainless steel to provide an unblemished final product. Frost ships all pre-chromed products with a protective plastic film which is easily peeled off after installation.



### Cold Rolled Steel

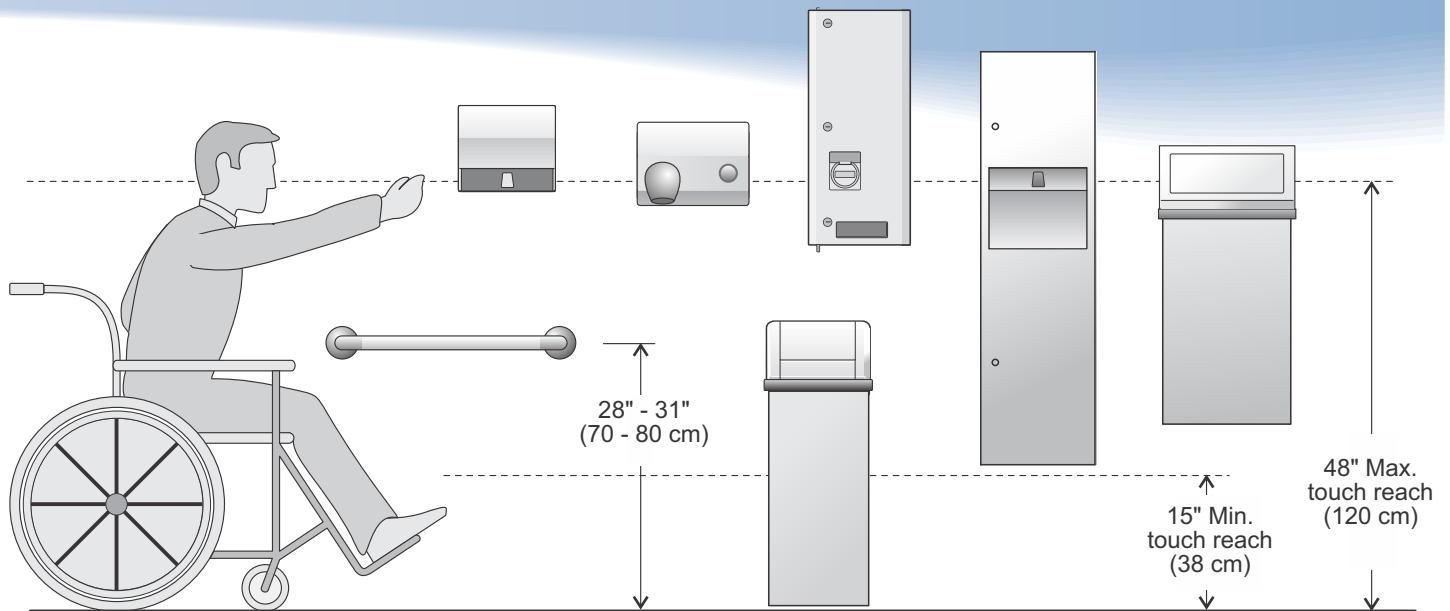
Frost uses a variety of material thicknesses ranging from 16 to 26 gauge. The variety of material gauges provide the optimum balance between durability and economy. All cold rolled stock is oiled and rust free during fabrication and degreased before final finishing.



### Epoxy Polyester Hybrid Powder

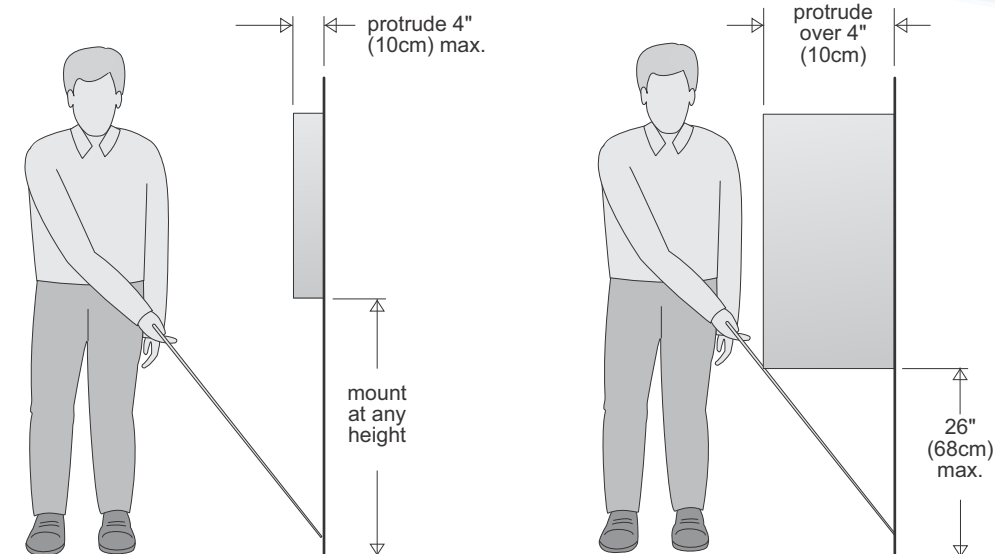
After a thorough degreasing the assembled cold rolled products are coated with a formulated epoxy hybrid powder to a thickness of approximately 3 mls.. An even coating is achieved by electrostatically charging the powder particles and spraying them onto the grounded product. All coated products are then oven cured at 400 degrees F. The result is a superior baked on finish with excellent mechanical/chemical characteristics and U.V. durability. Detailed technical specifications available upon request.

## Forward Reach Without Obstruction



**Barrier-Free access washroom guidelines:** In washroom installations designed to accommodate people with limited mobility and wheelchairs, accessories should be mounted so that the operating features meet local building codes. Mounting requirements of accessories may vary depending on the location of accessories and the direction of reach required for use. As a general guideline operating features of accessories should be mounted "above the finished floor" to allow forward reach by people in wheelchairs. Throughout this catalogue a wheelchair symbol is used to identify models that are accessible when mounted at approved heights. The wheelchair symbol is also used to identify products specifically designed to assist people with limited mobility and provide barrier-free access.

## Mounting of Protruding Detectable Objects



### Protruding Objects

Objects which protrude no more than 4" (10cm) into pedestrian areas such as walkways, halls, corridors, passageways or aisles can be mounted at any height above the floor.

### Detectable Objects

Objects with their leading edges mounted 26" (68cm) or less above the floor may protrude any amount.

## Wall Mounted Washroom Accessories

### Soap Dish

**Code 1136S:** Stainless Steel

### Towel Bars

**Code 1140S:** Stainless 18"  
**Code 1141S:** Stainless 24"  
**Code 1142S:** Stainless 30"  
**Code 1143S:** Stainless 36"

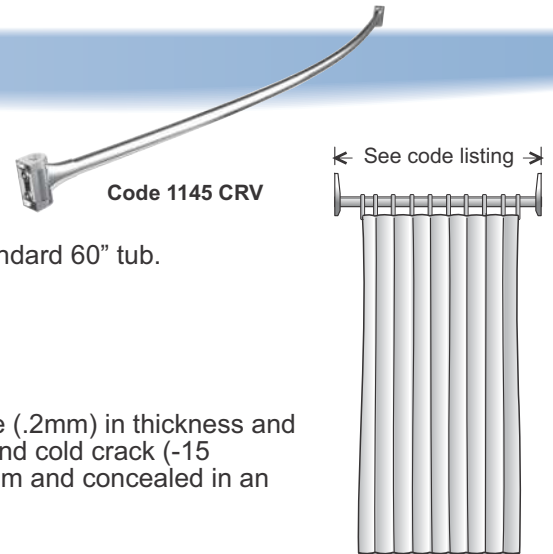


### Robe Hook

**Code 1138S:** Single/Stainless  
**Code 1139S:** Double/Stainless

## Shower Curtains and Accessories

**Code 1144:** Chrome Shower rod 5' x 1" dia.  
**Code 1144-500:** Hold Back Hook and Chain  
**Code 1144-501L:** Curtain Hooks (pack of 12, stainless steel)  
**Code 1144-502:** Shower Curtain 48" x 78"  
**Code 1144-503:** Tub Curtain 70" x 72".  
**Code 1145-CRV:** Curved stainless Shower rod, brushed finish, for standard 60" tub.  
**Code 1145-S:** Stainless Shower rod 5' x 1-1/4" dia.  
**Code 1145-72SS:** Stainless Shower rod 72" x 1-1/4" dia.  
**Code 1145-36SS:** Stainless Shower rod 36" x 1-1/4" dia.



### Specifications:

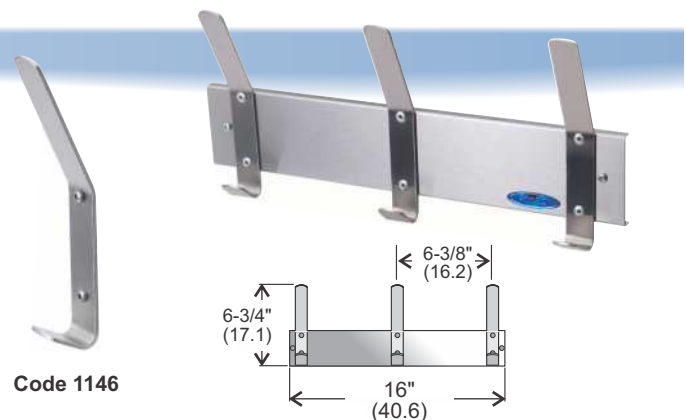
Shower curtains are made of 100% mildew and cold treated PEVA, 8 gauge (.2mm) in thickness and have a suede embossed colour fast finish. The curtains are mildew proof and cold crack (-15 degrees C) treated. The shower ring grommets are reinforced with aluminum and concealed in an extra strength header. Shower curtain comes in standard white colour.

## Coat Hooks

**Code 1146:** Stainless Steel, single hook  
**Code 1146B:** Stainless Steel, single hook with bumper  
**Code 1147:** Stainless Steel, three hook strip

### Specifications:

Hooks are fabricated from 12 gauge (.1") thick solid stainless steel. Hook ends are 1" (2.54) radius with all edges deburred. Hook strip fabricated from 20 ga. stainless steel.

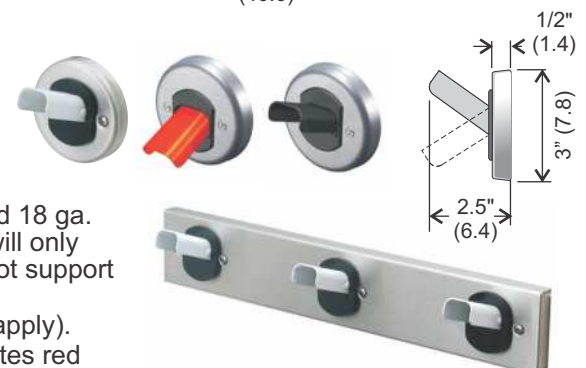


## Safety Coat Hook

**Code 1150:** White hook with stainless steel base (single hook)  
**Code 1150BK:** Black hook with stainless steel base (single hook)  
**Code 1150-SS:** Stainless steel hook on stainless steel base (single hook)  
**Code 1150-3:** White hook on stainless steel strip, (three hook strip)

**Specifications:** All stainless steel type 304 no. 4 finish. Hook is epoxy coated 18 ga. stainless steel, providing a smooth burr free edge. Spring loaded coat hook will only support weight of coat or jacket, heavier objects will slip off. Coat hook will not support loads in excess of 11 kilograms (25 lbs.), patented.

**Alternative colours available:** On special order ( 5-6 week lead times may apply).  
 Note: Colour suffixes: B: blue, BK: black, R: red (example: Code 1150R denotes red hook on stainless base)





# Dryers

## Warm Air Hand/Hair Dryers

# Auto Air

- Code 1187:** Automatic "no touch", white finish, 120 volts.
- Code 1187-1:** Automatic "no touch", white finish, 220 volts.
- Code 1190:** Automatic "no touch", Heavy Duty, brushed steel finish, 120 v.
- Code 1190-1:** Automatic "no touch", Heavy Duty, brushed steel finish, 220 v.
- Code 1192:** Automatic "no touch", High Speed, white finish, 120 v.
- Code 1193:** Automatic "no touch", High Speed, stainless steel, 120 v.
- Code 1194:** Ecofast, hands free dryer, polished stainless finish, 120v.
- Code 1195:** Ecofast, hands free dryer, white finish, 120 volts.
- Code 1196:** Ecofast, hands free dryer, brushed stainless, 120 volts.



**Durable,  
Economical  
and  
Hands Free**

### Code 1187:

**Features:** Approximately 20 second drying time. Sensitive distance of sensor: 4-12" (10-30 cm). Touch free sensor is activated when hands are placed within the set range under spout. There is a .6 sec delay for on and a 2 second delay for off. The power will be cut off automatically in cases of irregular use over 120 seconds, sensor will reset during normal use. Sensor is 100% moisture proof. Warranty: 5 years.

**Wind measure:** 161 cfm, (274 m<sup>3</sup>/h), **Wind velocity:** (16.5m/sec).

**Installation:** Insure when mounted that dryer is 12" (30cm) above any fixed or movable objects. For unrestricted access insure bottom of dryer does not exceed 48" (220 cm) from floor. Four threaded mounting anchors and hole location template provided.

### Code 1192/1193:

**Features:** Drying time: between 7-10 seconds. Blue L.E.D. Helps target ideal drying area. Outer casing is drawn steel with porcelain enameled finish. Whole unit is rated at 1600 watts. Heating element is 900 watts Brush motor with dual dual ball bearings 700W, 18000 R.P.M.

**Operating Voltage:** 110-120 Vac, 50/60Hz, 1.3 - 1.6 kw. Motor thermal protection: contains an auto resetting thermostat which turns the unit off at 105 C (221 F). Motor overload protection: Heater thermal protection: An auto resetting thermostat turns the unit off at 85 C (185 F). Air speed output: 100 m/s (225 mi/hr). Sensor range: 7" (18cm) adjustable. 6.6ks (14.6 lbs).

### Code 1194, 1195 & 1196:

**Features:** Drying time: 10 - 15 seconds. Outer casing is 18 ga. drawn in white powder coat finish (Stainless steel 1194, 1195).

**Leads info:** Minimum Energy Performance: Design and Construction, EA Prerequisite 2 Optimize Energy Performance: Design and Construction, EA Credit 1

**Operating voltage:** Whole unit is rated at 1000 watts. Heating element: 500 watts. Operating Voltage: 110-120 Vac, 50/60Hz, Amps: 1.0kw. Standby Power: Less than 0.5W. Brush motor: .67 HP, 16k - 29k R.P.M, dual ball bearings. Motor thermal protection: Auto resetting thermostat turns unit off at 135 deg. C (275 deg. F). Sensor range: 6" (15cm). Air speed output: 45.5 - 70 m/s (164 - 252 km/hr), 150 - 230 ft/s (102 -157 mph). Volume: 71-102 m<sup>3</sup>/h, (42-60 CFM). Sound Level: 68.9 dB-A @ 2m. Air output temperature: 55 degrees C (131 deg. F).



Code 1187



Code 1190



Code 1192



Code 1193



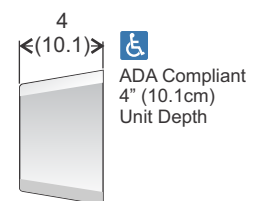
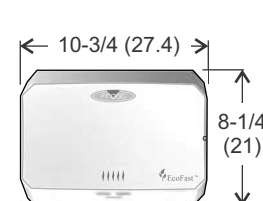
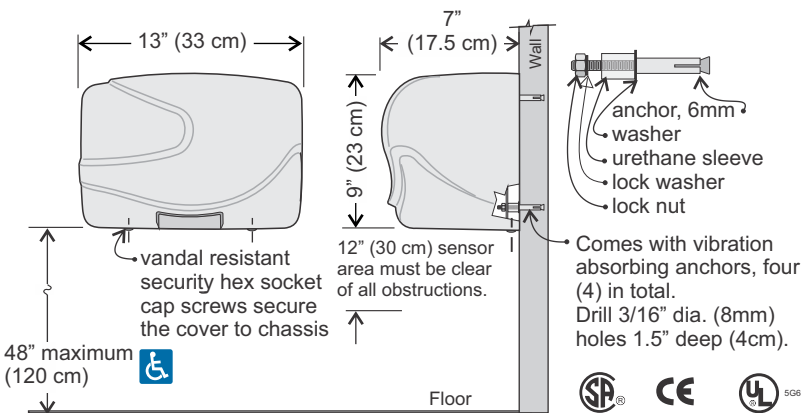
Code 1194



Code 1195



Code 1196



# Property Management, Site Furnishings

## Salt/Sand Bin

**Code 2000:** Big Thaw Salt/Sand Bin

**Materials:** All heavy gauge steel construction. Rotationally moulded polyethylene liner.  
**Finish:** RAL super durable TGIC-free polyester powder coating.  
**Features:** Counterbalanced lid for safe and easy access. Sealed storage compartment helps extend the storage life of salt. Holds up to 750 lbs. depending on material density. Pad lock latch included, (lock not included). Unique design is part of a family of integrated products. Clean detailing in a rugged practical application. Easy installation comes fully assembled. Mounting holes for anchoring provided.  
**Dimensions:** 36.4" w x 27.5" h x 25.5" d.



Code 2000

## Waste Receptacle

**Code 2020:** Stingray Waste Receptacle

**Materials:** All steel construction, heavy gauge cold rolled steel. Rotationally moulded heavy duty plastic liner. Capacity: 35 imp. gal., 160 litres.  
**Finish:** RAL super durable TGIC-free polyester powder coating.  
**Features:** Side opening, allows easy and ergonomic access to waste receptacle. Latch closing. Unique design is part of a family of integrated products. Clean detailing in a rugged practical application. Easy installation (fully assembled). Mounting holes for anchoring provided.  
**Dimensions:** 39" h x 23" in diameter.



Code 2020

## Benches

**Code 2040:** Stream Bench, 4 foot length  
**Code 2060:** Stream Bench, 6 foot length

**Materials:** All steel heavy gauge construction, 12 ga. cold rolled steel.  
**Finish:** RAL super durable TGIC-free polyester powder coating.  
**Features:** Unique design is part of a family of integrated products. Clean detailing in a rugged practical application. Built in arm rests. Ergonomic, with lumbar support. Comes fully assembled. Mounting holes for anchoring provided.  
**Dimensions:** Code 2040, 4': 48" w x 34" h x 25" d  
 Code 2060, 6': 72" w x 34" h x 25" d



Code 2040

## Bike Racks

**Code 2070:** Bike Stop, ring bike rack for 2 bikes, square tubing.  
**Code 2080:** Linguini, heavy duty flat bar bike rack for 5 bikes.  
**Code 2090:** Surf, tubular bike rack for 6 bikes.

**Materials:** All steel construction, heavy gauge cold rolled steel.  
**Finish:** RAL super durable TGIC-free polyester powder coating.  
**Features:**  
 2070: Two ring two bike design. Square tube on the Bike Stop foils pipe cutter thieves.  
 2080: Five bike rack, square flat plate on the Linguini deters pipe cutter use.  
 2090: Six bike rack, features wheel rest recess.  
 All codes feature a unique design that is part of a family of integrated products with clean detailing for rugged and practical applications. Easily installed (fully assembled). Mounting holes for anchoring provided.  
**Dimensions:** 2070 Bike Stop: 12" w x 39" h x 4.5" d  
 2080 Linguini: 45" w x 30" h x 2" d  
 2090 Surf: 32" w x 25.75" h x 27.75" d



Code 2070



Code 2080



Code 2090

### All Site Furnishing Codes:

**Installation:** Holes provided for anchor mounting.

**Warranty:** 1 year warranty against defective workmanship.

**Colours:** Black is stock, Red, Blue, Green and Yellow are available, inquire about lead times.

